

CDP-XE530

SERVICE MANUAL

AEP Model
UK Model



Photo : SILVER

Model Name Using Similar Mechanism	NEW
CD Mechanism Type	CDM14FL-5BD25
Base Unit Type	BU-5BD25
Optical Pick-up Type	KSS-213BA/F-NP

SPECIFICATIONS

Compact Disc Player

Laser	Semiconductor laser ($\lambda = 780 \text{ nm}$)
	Emission duration: continuous
Laser output	Max 44.6 μW *
	* This output is the value measured at a distance of 200 mm from the objective lens surface on the Optical Pick-up block with 7 mm aperture.
Frequency response	2 Hz to 20 kHz $\pm 0.5 \text{ dB}$
Signal-to-noise ratio	More than 100 dB
Dynamic range	More than 98 dB
Harmonic distortion	Less than 0.0045%
Channel separation	More than 95 dB

Output

	Jack type	Maximum output level	Load impedance
LINE OUT	Phono jacks	2V (at 50 k Ω)	Over 10 k Ω
DIGITAL OUT (OPTICAL)	Optical output connector	-18 dBm	Wave length: 660 nm
PHONES	Stereo phone jack	10 mW	32 Ω

General

Power requirements	220 V - 230 V AC, 50/60 Hz
Power consumption	11W
Dimensions (approx.) (w/h/d)	430 \times 110 \times 290 mm (17 \times 4 $\frac{3}{8}$ \times 11 $\frac{1}{2}$ in.) incl. projecting parts
Mass (approx.)	3.4 kg (7 lbs 8 oz)

Supplied accessories

Audio cord (2 phono plugs-2 phono plugs) (1)
Remote commander (remote) (1)
R6 (size AA) batteries (2)

Design and specifications are subject to change without notice.

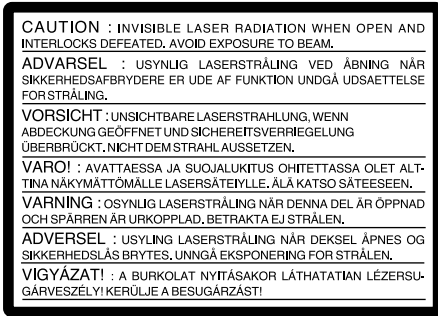
COMPACT DISC PLAYER

SONY®

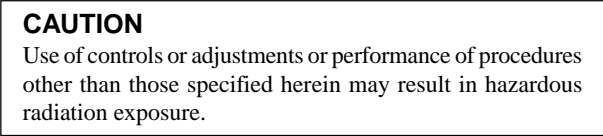


TABLE OF CONTENTS

The following caution label is located inside of the unit.



This appliance is classified as a CLASS 1 LASER product. The CLASS 1 LASER PRODUCT MARKING is located on the rear exterior.



Notes on chip component replacement

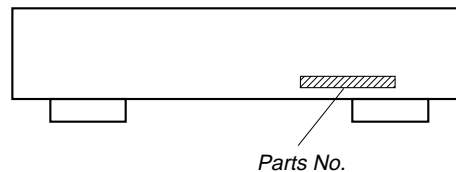
- Never reuse a disconnected chip component.
- Notice that the minus side of a tantalum capacitor may be damaged by heat.

Flexible Circuit Board Repairing

- Keep the temperature of soldering iron around 270°C during repairing.
- Do not touch the soldering iron on the same conductor of the circuit board (within 3 times).
- Be careful not to apply force on the conductor when soldering or unsoldering.

1. SERVICING NOTE	3
2. GENERAL	6
3. DISASSEMBLY	
3-1. Front Panel	7
3-2. Base Unit (BU-5BD25)	7
4. TEST MODE	8
5. ELECTRICAL BLOCK CHECKING	10
6. DIAGRAMS	
6-1. Circuit Boards Location	12
6-2. Schematic Diagram – Loading Motor Section –	14
6-3. Printed Wiring Board – Loading Motor Section –	14
6-4. Printed Wiring Board – BD Section –	15
6-5. Schematic Diagram – BD Section –	17
6-6. Printed Wiring Board – Main Section –	19
6-7. Schematic Diagram – Main Section –	21
6-8. Printed Wiring Board – Display Section –	23
6-9. Schematic Diagram – Display Section –	25
6-10. IC Pin Functions	27
6-11. IC Block Diagrams	31
7. EXPLODED VIEWS	
7-1. Main Section	34
7-2. CD Mechanism Section (CDM14FL-5BD25)	35
7-3. Base Unit Section (BU-5BD25)	36
8. ELECTRICAL PARTS LIST	37

MODEL IDENTIFICATION — BACK PANEL —



PARTS No.	MODEL
4-214-172-0□	XE530 : AEP, North European, CIS
4-214-172-1□	XE530 : UK

SAFETY-RELATED COMPONENT WARNING!!

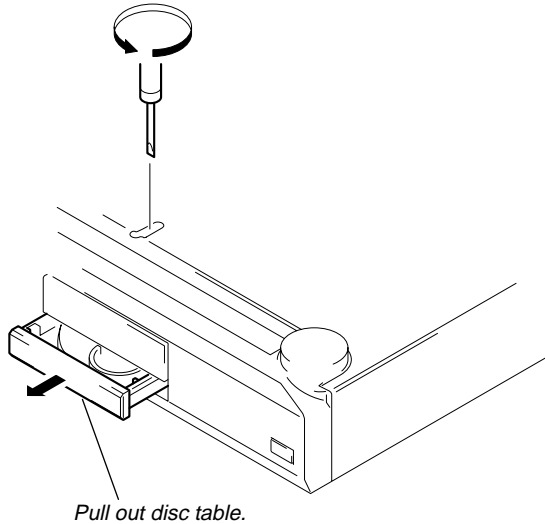
COMPONENTS IDENTIFIED BY MARK \triangle OR DOTTED LINE WITH MARK \triangle ON THE SCHEMATIC DIAGRAMS AND IN THE PARTS LIST ARE CRITICAL TO SAFE OPERATION. REPLACE THESE COMPONENTS WITH SONY PARTS WHOSE PART NUMBERS APPEAR AS SHOWN IN THIS MANUAL OR IN SUPPLEMENTS PUBLISHED BY SONY.

SECTION 1 SERVICING NOTE

HOW TO OPEN THE DISC TRAY WHEN POWER SWITCH TURNS OFF

Insert a tapering driver into the aperture of the unit bottom, and turn in the direction of arrow.

** To close the disc table, turn the driver in the reverse direction.*



NOTES ON HANDLING THE OPTICAL PICK-UP BLOCK OR BASE UNIT

The laser diode in the optical pick-up block may suffer electrostatic breakdown because of the potential difference generated by the charged electrostatic load, etc. on clothing and the human body.

During repair, pay attention to electrostatic breakdown and also use the procedure in the printed matter which is included in the repair parts.

The flexible board is easily damaged and should be handled with care.

NOTES ON LASER DIODE EMISSION CHECK

The laser beam on this model is concentrated so as to be focused on the disc reflective surface by the objective lens in the optical pick-up block. Therefore, when checking the laser diode emission, observe from more than 30 cm away from the objective lens.

LASER DIODE AND FOCUS SEARCH OPERATION CHECK

Carry out the "S curve check" in "CD section adjustment" and check that the S curve waveform is output continuously.


CD-TEXT TEST DISC

This unit is able to display the TEXT data (character information) written in the CD on its fluorescent indicator tube.


The CD-TEXT TEST DISC (TGCS-313: J-2501-126-A) is used for checking the display.

To check, perform the following procedure.

Procedure:

1. Turn ON the power and set the test disc.
2. Press the  button and play back the disc.
3. The following will be displayed on the fluorescent indicator tube.

Display : 1kHz/0 dB/-----

4. Rotate the  knob to switch the track. The text data of each track will be displayed.

Restrictions in CD-TEXT Display

In this unit, some special characters will not be displayed properly. These will be displayed as a space or a character resembling it. For details, refer to “Table 2 : CD-TEXT DISC Recorded Contents and Display”.

Table 1 : CD-TEXT TEST DISC TEXT Data Contents (TRACKS No. 1 to 41:Normal Characters)

TRACK No.	Displayed Contents	TRACK No.	Displayed Contents
1	1kHz/0dB/L&R	22	1kHz/-90dB/L&R
2	20Hz/0dB/L&R	23	Infinity Zero w/o emphasis//L&R
3	40Hz/0dB/L&R	24	Infinity Zero with emphasis//L&R
4	100Hz/0dB/L&R	25	400Hz+7kHz(4:1)/0dB/L&R
5	200Hz/0dB/L&R	26	400Hz+7kHz(4:1)/-10dB/L&R
6	500Hz/0dB/L&R	27	19kHz+20kHz(1:1)/0dB/L&R
7	1kHz/0dB/L&R	28	19kHz+20kHz(1:1)/-10dB/L&R
8	5kHz/0dB/L&R	29	100Hz/0dB/L*
9	7kHz/0dB/L&R	30	1kHz/0dB/L*
10	10kHz/0dB/L&R	31	10kHz/0dB/L*
11	16kHz/0dB/L&R	32	20kHz/0dB/L*
12	18kHz/0dB/L&R	33	100Hz/0dB/R*
13	20kHz/0dB/L&R	34	1kHz/0dB/R*
14	1kHz/0dB/L&R	35	10kHz/0dB/R*
15	1kHz/-1dB/L&R	36	20kHz/0dB/R*
16	1kHz/-3dB/L&R	37	100Hz Squer Wave//L&R
17	1kHz/-6dB/L&R	38	1kHz Squer Wave//L&R
18	1kHz/-10dB/L&R	39	1kHz w/emphasis/-0.37dB/L&R
19	1kHz/-20dB/L&R	40	5kHz w/emphasis/-4.53dB/L&R
20	1kHz/-60dB/L&R	41	16kHz w/emphasis/-9.04dB/L&R
21	1kHz/-80dB/L&R		

NOTE : The contents of Track No. 1 to 41 are the same as those of the current TEST DISC-their titles are displayed.

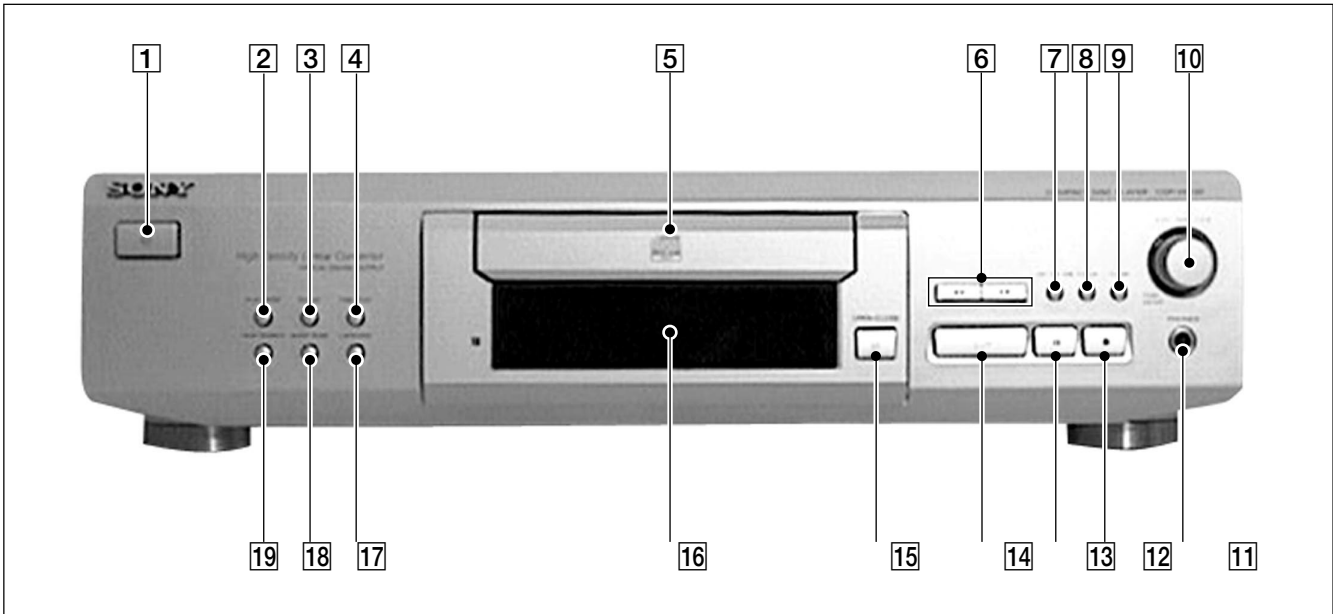
However, only 8 digits are displayed, and the 9th digit onwards are displayed as “-----”.

Table 2: CD-TEXT TEST DISC Recorded Contents and Display
(In this unit, some special characters cannot be displayed. This is not a fault.)

TRACK No.	Recorded contents	Display
42	! " # \$ % & ' (21h to 27h)1kHz 0dB L&R	: ... ! " # \$ % & are not displayed
43	() * + , - . / (28h to 2Fh)	() * + - / ... , . are not displayed
44	0 1 2 3 4 5 6 7 (30h to 37h)	0 1 2 3 4 5 6 7 ...
45	8 9 : ; < = > ? (38h to 3Fh)	8 9 = ? ... : ; < > are not displayed
46	@ A B C D E F G (40h to 47h)	A B C D E F G ... @ is not displayed
47	H I J K L M N O (48h to 4Fh)	H I J K L M N O ...
48	P Q R S T U V W (50h to 57h)	P Q R S T U V W ...
49	X Y Z [¥] ^ _ (58h to 5Fh)	X Y Z [/] ^ _ ...
50	` a b c d e f g (60h to 57h)	` A B C D E F G ...
51	h i j k l m n o (68h to 6Fh)	H I J K L M N O ...
52	p q r s t u v w (70h to 77h)	P Q R S T U V W ...
53	x y z { } ~ ■ (78h to 7Fh)	X Y Z ... { } ■ are not displayed
54	■ i ç £ ¤ ¥ ¦ § (A0h to A7h) 8859-1	... ■ i ç £ ¤ ¥ ¦ § are not displayed
55	♪ ©ª « ¬ ® ¯ (A8h to AFh)	¬ ¯ ... ♪ ©ª « ® are not displayed
56	• ± ² ³ ´ μ ¶ • (B0h to B7h)	∴ ± ´ ... ² ³ μ ¶ • are not displayed
57	† ¹ º » ¼ ½ ¾ ¿ (B8h to BFh)	¿ ... † ¹ º » ¼ ½ ¾ are not displayed
58	À Á Â Ã Ä Å Æ Ç (C0h to C7h)	À Á Â Ã Ä Å ... Æ Ç are not displayed
59	È É Ê Ë Ì Í Î Ï (C8h to CFh)	È É Ê Ë Ì Í Î Ï ...
60	Ð Ñ Ò Ó Ô Õ Ö × (D0h to C7h)	Ñ Ò Ó Ô Õ Ö ... Ð × are not displayed
61	Ø Ù Ú Û Ü Ý Þ ß (D8h to DFh)	Ù Ú Û Ü Ý ... Ø Þ ß are not displayed
62	à á â ã ä å æ ç (E0h to E7h)	À Á Â Ã Ä Å ... æ ç are not displayed
63	è é ê ë ì í î ï (E8h to FFh)	È É Ê Ë Ì Í Î Ï ...
64	đ ñ ò ó ô õ ö ÷ (F0h to F7h)	Ñ Ò Ó Ô Õ Ö ... đ ÷ are not displayed
65	ø ù ú û ü ý þ ÿ (F8h to FFh)	Ù Ú Û Ü Ý ... ø þ ÿ are not displayed
66	No.66	← All the same
67	No.67	← All the same
to	to	to
99	No.99	← All the same

SECTION 2 GENERAL

Front Panel



LOCATION OF PARTS AND CONTROLS

- | | | | |
|----------|-----------------------|-----------|-----------------------|
| 1 | Ⓛ switch | 10 | AMS knob (PUSH ENTER) |
| 2 | PLAY MODE button | 11 | PHONES jack |
| 3 | REPEAT button | 12 | ■ (stop) button |
| 4 | TIME/TEXT button | 13 | ▬▬ (pause) button |
| 5 | Disc tray | 14 | ▷ (play) button |
| 6 | ◀▶ button | 15 | ⊞ OPEN CLOSE button |
| 7 | EDIT/TIME FADE button | 16 | Window display |
| 8 | CHECK button | 17 | LANGUAGE button |
| 9 | CLEAR button | 18 | MUSIC SCAN button |
| | | 19 | PEAK SEARCH button |

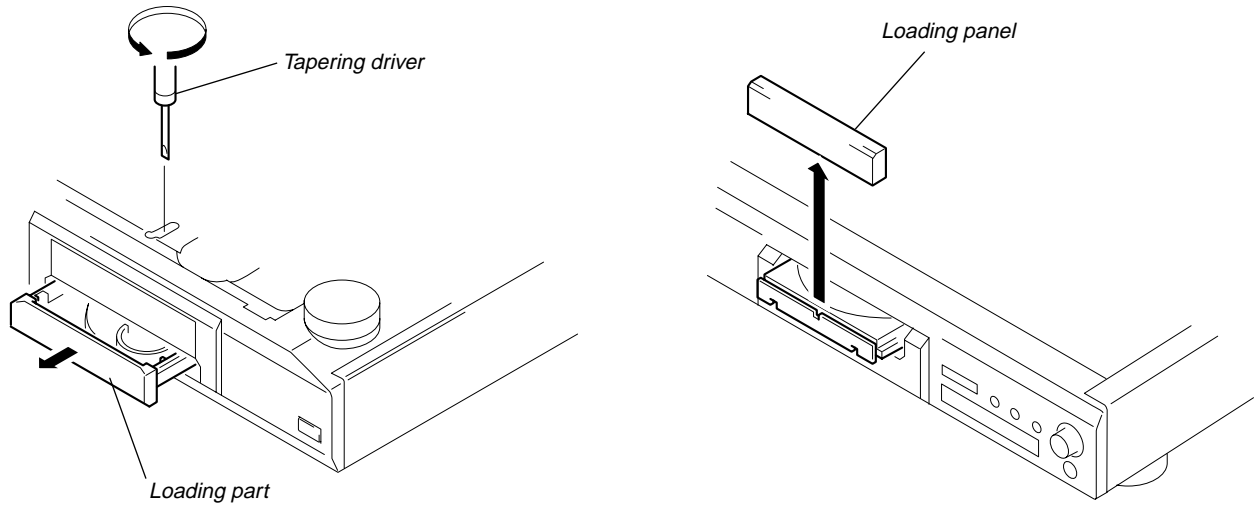
* AMS is the abbreviation for Automatic Music Sensor.

SECTION 3 DISASSEMBLY

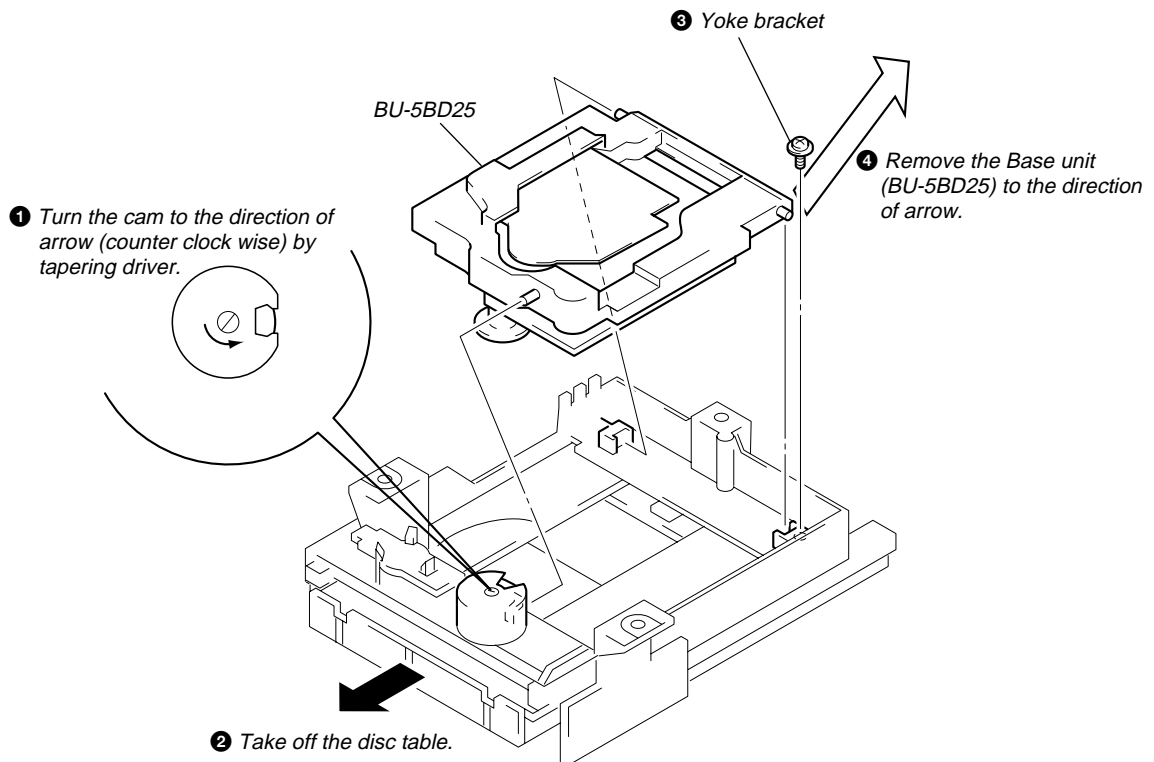
Note : Follow the disassembly procedure in the numerical order given.

3-1. FRONT PANEL

- In order to remove the front panel block when the power supply does not turn on, rotate the cam with tapering driver as the figure shows, and the loading part will be moved. Then pull out the loading part by your hand to remove the loading panel as the figure shows. After that take out the front panel block.



3-2. BASE UNIT (BU-5BD25)




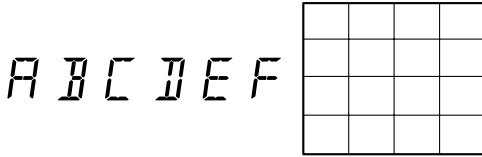
SECTION 4 TEST MODE

4-1. AF MODE


The following checks can be performed in the AF mode, which is set by connecting the JW617 (AFADJ) terminal on MAIN board to the Ground and turning on the power.

• FL tube check

After all segments light up, when the  button is pressed, the following will be displayed. (Partial lighting 1)

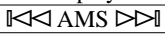


(Partial lighting 1)

When the  button is pressed, the following will be displayed. (partial lighting 2)

	2		4	
6		8		10
	12		14	
16		18		20

(Partial lighting 2)


The display will light up as follows (partial lighting 3) when the  knob is rotated to the right, and as follows (partial lighting 4) when rotated to the left.



(Partial lighting 3)

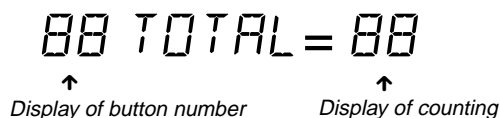








(Partial lighting 4)

When the  button is pressed, all will light up again.

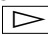
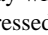
• Key check

All buttons have corresponding button numbers. When a button is pressed, the counter will count up and display the button's number. However, the counter will only count to "16". It will not count for buttons already pressed once, but will display the button's number.



Button	Button No. Displayed	Button	Button No. Displayed
LANGUAGE	0		11
MUSIC SCAN	1		12
PEAK SEARCH	2		18
PLAY MODE	3	ENTER (AMS)	20
REPEAT	4	OPEN/ CLOSE 	All lit
TIME/TEXT	5	PLAY 	Partial lighting 1
CLEAR	8	STOP 	Partial lighting 2
EDIT/ TIME FADE	10		

• Remote commander check

When buttons other than the  button are pressed when the whole display is lit, the display will change to partial lighting 2. When the  button is pressed, the display will light up as follows.



(Partial lighting 5)

4-2. ADJ MODE

The following operations are performed in the ADJ mode, which is set by connecting the JW613 (ADJ) terminal to the Ground and turning on the power.

Table of Button Operations in ADJ Mode

The functions of the number buttons are shown in the following table.

Function of Number Buttons (With the General Remote Commander)

Button	Function
4	Tracking servo, sled servo off
9	Tracking servo, sled servo on
11	S curve continuous output check mode

* **NOTE** : Other buttons are not used for servicing and should not be pressed without a reason.

4-3. AGING MODE

This unit is equipped with an aging mode to check operations of the mechanism deck.

- When faults occur:


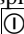
Aging stops, and the state when aging stopped is displayed on the fluorescent display tube.

- When no fault has occurred:

Aging is continued repeatedly.

Aging method 1

(When using the aging mode remote controller (J-2501-123-A)):

1. Press the  button and turn ON the power.
2. Set the disc on the tray.
3. Press the **AGING START** button of the aging remote controller.
4. Aging starts and the message shown in Fig. 1 is displayed on the fluorescent display tube.
5. To end, press the  button.

Aging method 2 (When no aging mode remote controller):




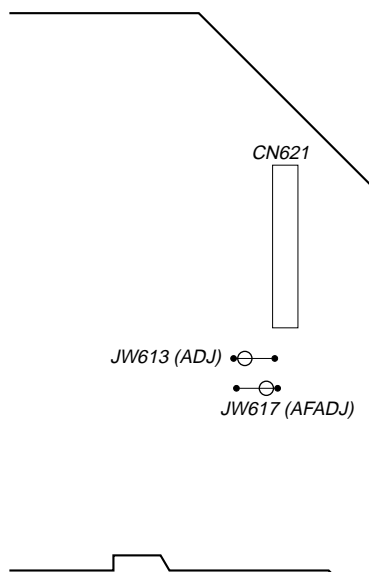
1. Press the  button and turn ON the power.
2. Set the disc on the tray.
3. Press the **OPEN/CLOSE** button,  button, and **MUSIC SCAN** button at the same time. (If these buttons are not pressed at the same time, nothing performs.)
4. Aging starts and the message shown in Fig. 1 is displayed on the fluorescent display tube.
5. To end, press the  button.

Fig. 1 Message in Aging Mode

Code No.	State	Display when normal	Display when abnormal
0	Load in	AGING-0	ERROR-0
1	Access to TOC	AGING-1	ERROR-1
2	Access to last track	AGING-2	ERROR-2
3	Playback of last track (3 seconds)	Counter display	ERROR-3
4	Access to first track	AGING-4	ERROR-4
5	Playback of first track (3 seconds)	Counter display	ERROR-5
6	Load out	AGING-6	ERROR-6

[MAIN BOARD] – Component Side –

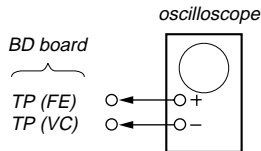


SECTION 5 ELECTRICAL BLOCK CHECKING

Note:

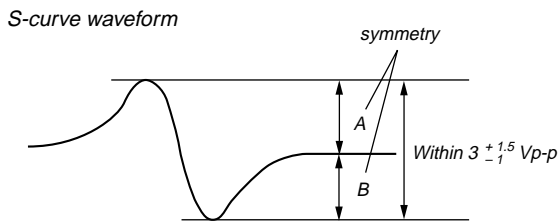
1. CD Block is basically designed to operate without adjustment. Therefore, check each item in order given.
2. Use YEDS-18 disc (3-702-101-01) unless otherwise indicated.
3. Use an oscilloscope with more than 10MΩ impedance.
4. Clean the object lens by an applicator with neutral detergent when the signal level is low than specified value with the following checks.

S Curve Check (With general remote commander)



Procedure :

1. Connect oscilloscope to test point TP (FE) on BD board.
2. Connect the test point JW613 (ADJ) on MAIN board to the ground with a lead wire.
3. Turn Power switch on.
4. Put disc (YEDS-18) in press (play) button.
5. When the **[11]** button of the remote commander is pressed, the S curve will be output continuously.
6. Check the oscilloscope waveform (S-curve) is symmetrical between A and B. And confirm peak to peak level within $3^{+1.5}_{-1}$ Vp-p.

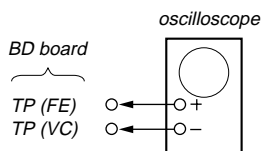


7. After check, remove the lead wire connected in step 2.

Note :

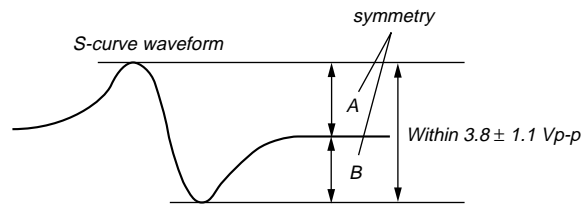
- Try to measure several times to make sure than the ratio of A : B or B : A is more than 10 : 7.
- Take sweep time as long as possible and light up the brightness to obtain best waveform.

S Curve Check (Without general remote commander)



Procedure :

1. Connect oscilloscope to test point TP (FE) on BD board.
2. Connect between test point TP (FEI) and TP (VC) by lead wire.
3. Connect both ends of TP R151 of the BD board to the lead wire.
4. Turn Power switch on.
5. Put disc (YEDS-18) in and actuate the focus search. (actuate the focus search when disc table is moving in and out.)
6. Check the oscilloscope waveform (S-curve) is symmetrical between A and B. And confirm peak to peak level within 3.8 ± 1 Vp-p.

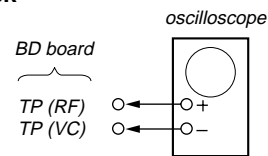


7. After check, remove the lead wire connected in step 2 and 3.

Note :

- Try to measure several times to make sure than the ratio of A : B or B : A is more than 10 : 7.
- Take sweep time as long as possible and light up the brightness to obtain best waveform.

RF Level Check

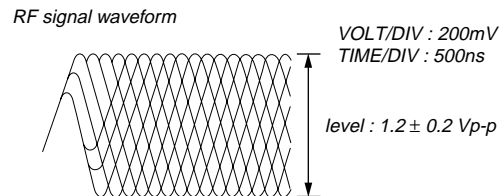


Procedure :

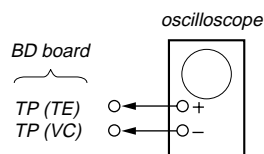
1. Connect oscilloscope to test point TP (RF) on BD board.
2. Turn Power switch on.
3. Put disc (YEDS-18) in to play the number five track.
4. Confirm that oscilloscope waveform is clear and check RF signal level is correct or not.

Note:

A clear RF signal waveform means that the shape “∩” can be clearly distinguished at the center of the waveform.

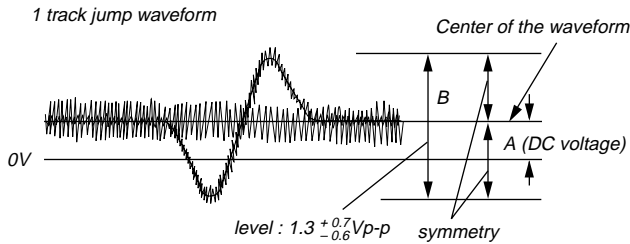


E-F Balance (1 Track Jump) Check (Without general remote commander)

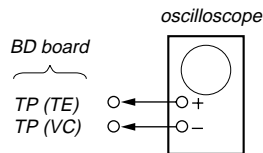


Procedure :

1. Connect oscilloscope to test point TP (TE) on BD board.
2. Turn Power switch on.
3. Put disc (YEDS-18) in to play the number five track.
4. Press the **[II]** (Pause) button. (Becomes the 1 track jump mode)
5. Check the level B of the oscilloscope's waveform and the A (DC voltage) of the center of the Traverse waveform. Confirm the following :
 $A/B \times 100 = \text{less than } \pm 22\%$



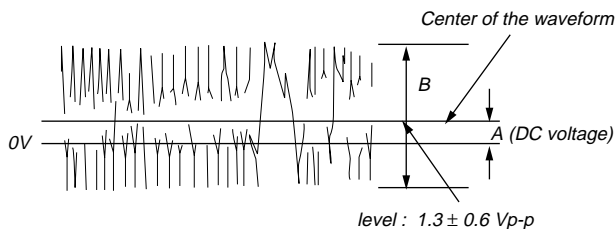
E-F Balance Check (With general remote commander)



Procedure :

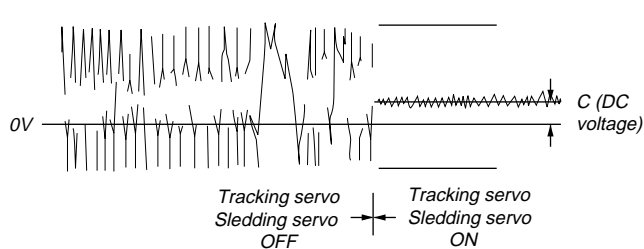
1. Connect the test point JW613 (ADJ) on MAIN board to the ground with a lead wire on main board.
2. Connect oscilloscope to test point TP (TE) on BD board.
3. Turn the Power switch on to set the ADJ mode.
4. Put disc (YEDS-18) in to play the number five track.
5. Press the **[4]** button. (The tracking servo and the sledding servo are turned OFF.)
6. Check the level B of the oscilloscope's waveform and the A (DC voltage) of the center of the Traverse waveform.
Confirm the following :
 $A/B \times 100 = \text{less than } \pm 22\%$

Traverse waveform



7. Press the **[9]** button. (The tracking servo and sledding servo are turned ON.) Confirm the C (DC voltage) is almost equal to the A (DC voltage) is step 6.

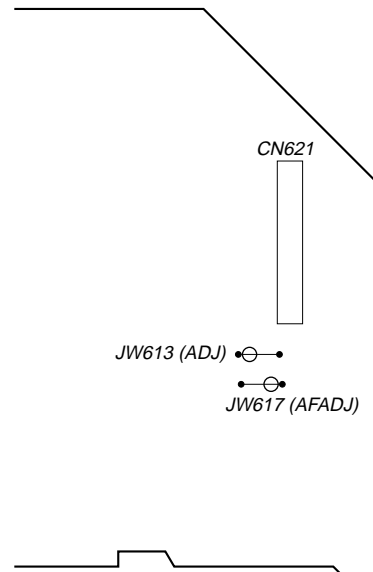
Traverse waveform



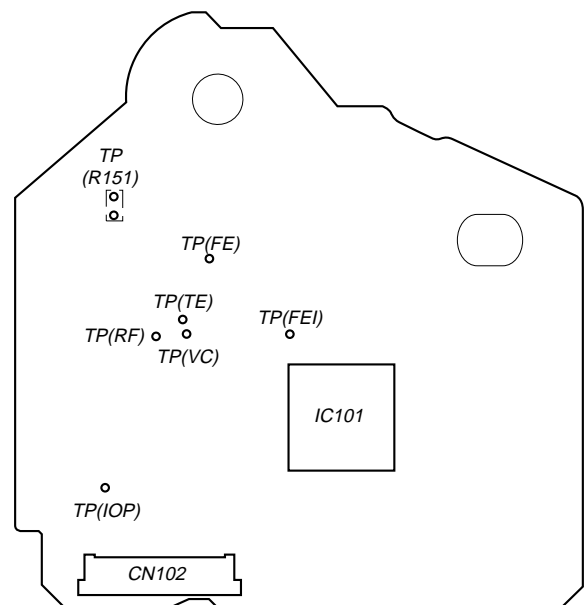
8. Disconnect the lead wire of JW613 (ADJ) connected in step 1.

Adjustment Location :

[MAIN BOARD] – Component Side –

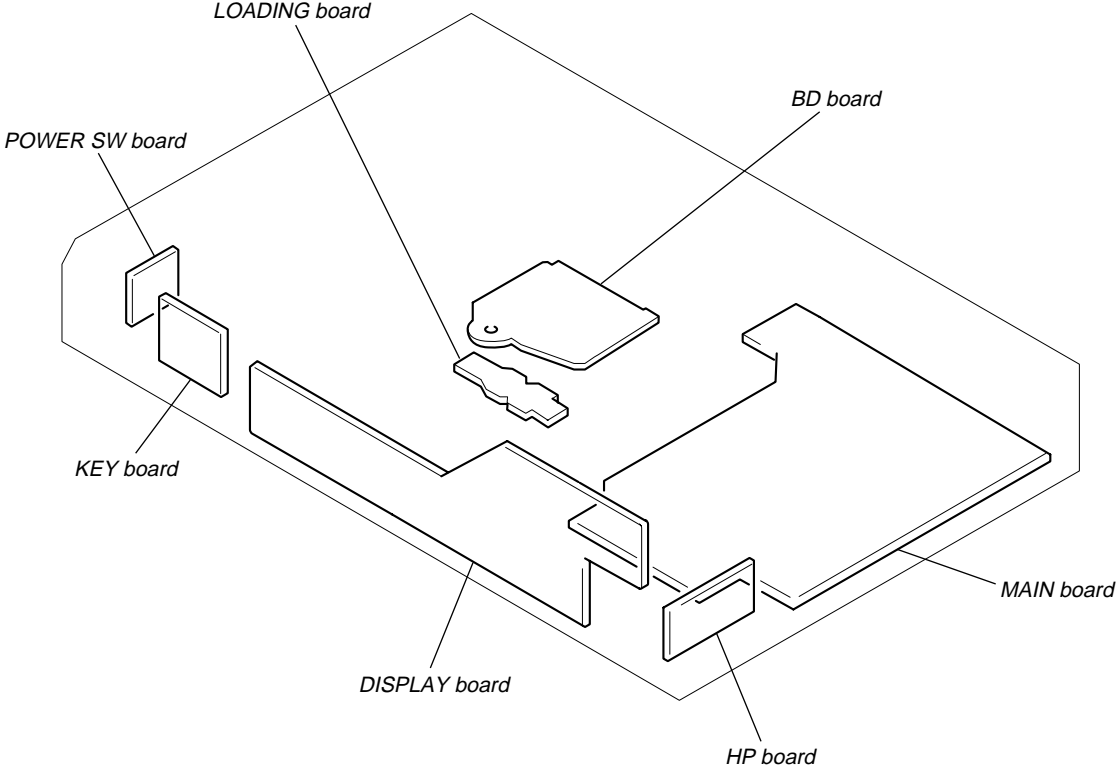


[BD BOARD] – Side A –



SECTION 6 DIAGRAMS

6-1. CIRCUIT BOARDS LOCATION



THIS NOTE IS COMMON FOR PRINTED WIRING BOARDS AND SCHEMATIC DIAGRAMS.
(In addition to this, the necessary note is printed in each block.)

For schematic diagrams.

Note:

- All capacitors are in μF unless otherwise noted. pF : μpF and tantalums.
- All resistors are in Ω and $1/\text{AW}$ or less unless otherwise specified.
- Δ : internal component.
- \square : panel designation.

Note: The components identified by mark Δ or dotted line with mark Δ are critical for safety.
Replace only with part number specified.

- $\square \pm$: B+ Line.
- $\square -$: B- Line.
- Voltages and waveforms are dc with respect to ground under no-signal (detuned) conditions.
- no mark: STOP
- () : PLAY
- Voltages are taken with a VOM (Input impedance 10 M Ω). Voltage variations may be noted due to normal production tolerances.
- Waveforms are taken with an oscilloscope. Voltage variations may be noted due to normal production tolerances.
- Circled numbers refer to waveforms.
- Signal path.
- CD : digital out

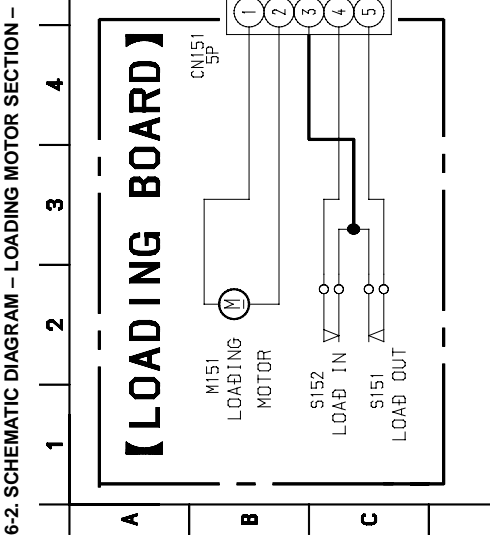
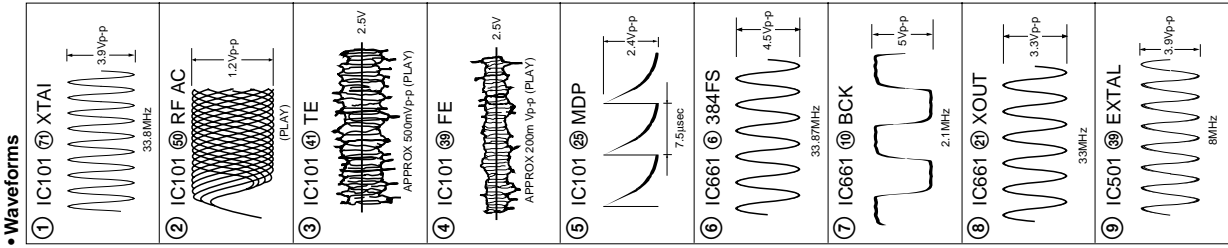
For printed wiring boards.

Note:

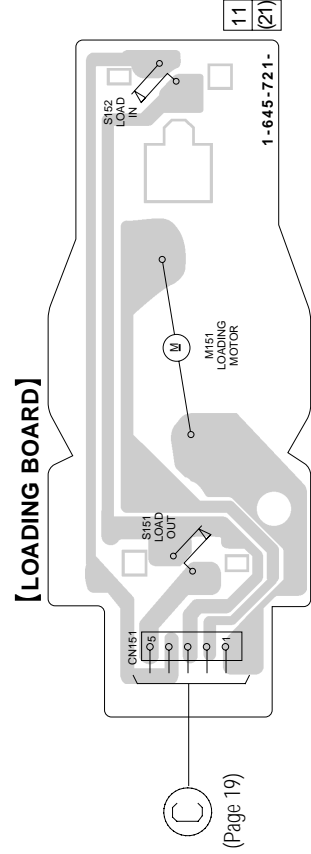
- --- : parts extracted from the component side.
- --- : parts extracted from the conductor side.
- \blacksquare : parts mounted on the conductor side.
- \circ : Through hole.
- --- : Pattern from the side which enables seeing. (The other layers' patterns are not indicated.)

Caution:
Pattern face side: Parts on the pattern face side seen from the (Side B) pattern face are indicated.
Parts face side: Parts on the parts face side seen from the (Side A) parts face are indicated.

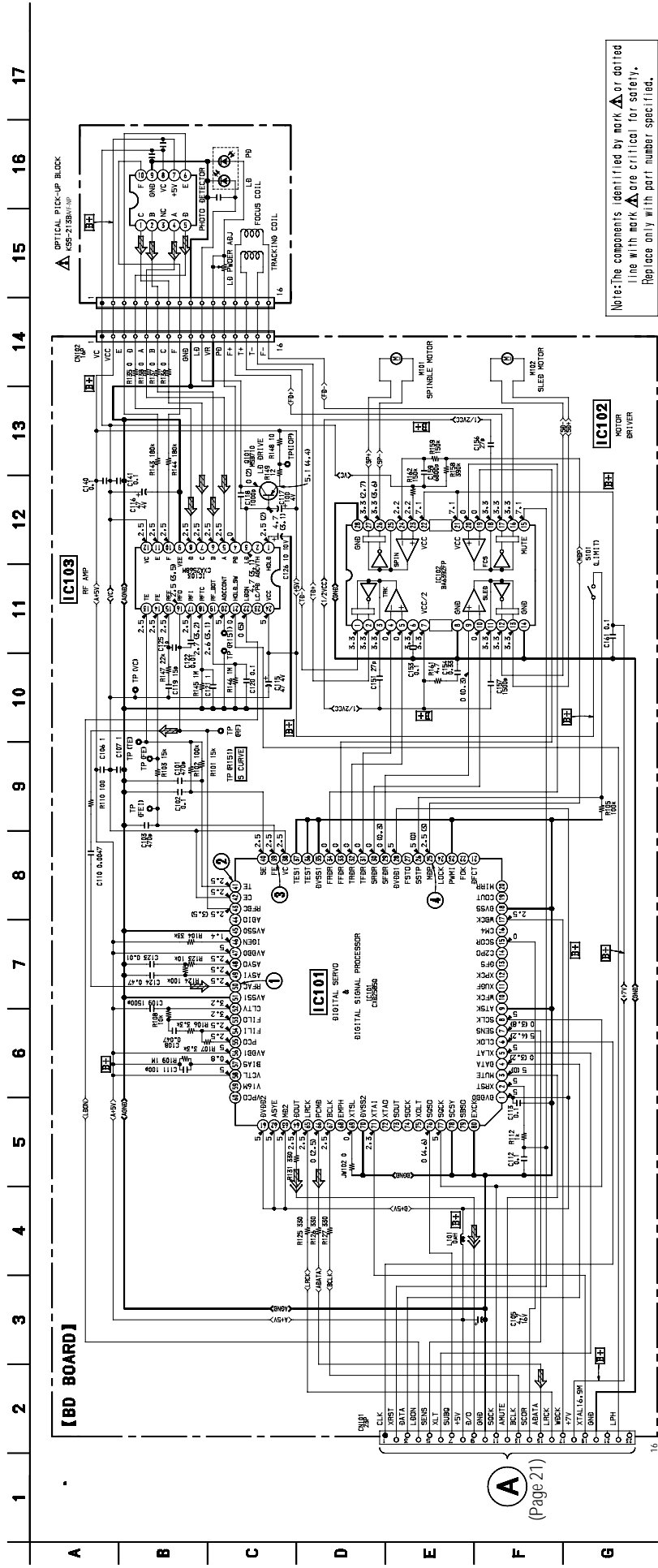
Indication of transistor



6-3. PRINTED WIRING BOARD – LOADING MOTOR SECTION – • See page 12 for Circuit Board Location.

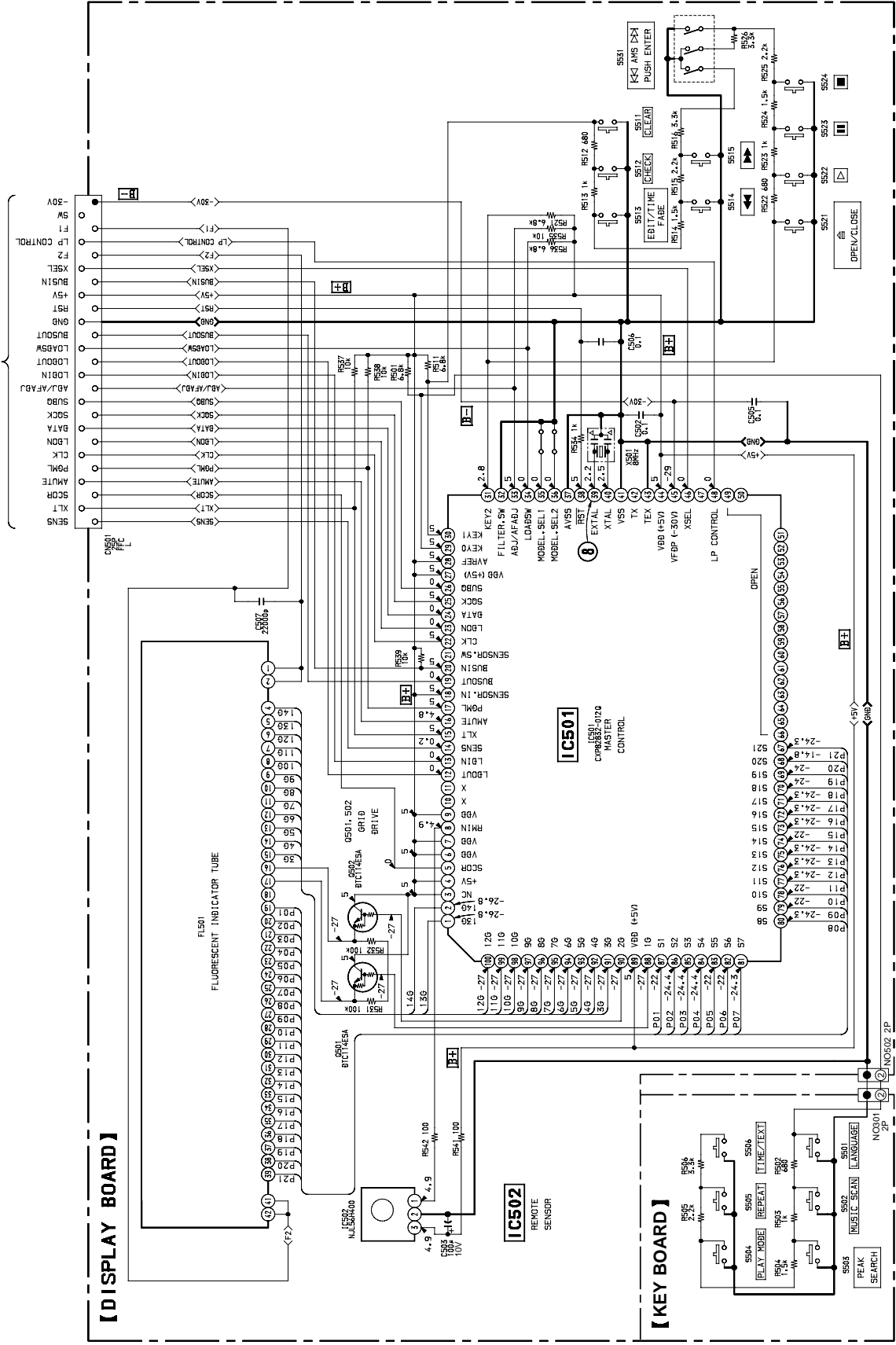


6-5 SCHEMATIC DIAGRAM - BD SECTION - • See page 13 for Waveforms. • See page 27 for IC Pin Functions. • See page 31 for IC Block Diagrams.



1 2 3 4 5 6 7 8 9 10 11 12 13

B (Page 21)



6-10. IC PINFUNCTIONS

• IC101 DIGITAL SIGNAL PROCESSOR (CXD2585Q)(BD board)

Pin No.	Pin Name	I/O	Function
1	DVDD	-	Digital power supply
2	XRST	I	System reset "L" : reset
3	MUTE	I	Muting input "H" : mute
4	DATA	I	Serial data input, supplied from CPU
5	XLAT	I	Latch input, supplied from CPU
6	CLOCK	I	Serial data transfer clock input, supplied from CPU
7	SENS	O	SENS signal output to CPU
8	SCLK	I	SENS serial data read-out clock input
9	ATSK	I	Input pin for anti-shock (Connected to ground)
10	WFCK	O	WFCK output (Not used)
11	XUGF	O	Not used
12	XPKC	O	Not used
13	GFS	O	Not used
14	C2PO	O	Not used
15	SCOR	O	Sub-code sync output
16	CM4	O	4.2336 MHz output (Not used)
17	WDCK	O	Word clock output (f = 2Fs)
18	DVSS	-	Digital ground
19	COUT	I/O	Numbers of track counted signal input/output (Not used)
20	MIRR	I/O	Mirror signal input/output (Not used)
21	DFCT	I/O	Defect signal input/output (Not used)
22	FOK	I/O	Focus OK input/output (Not used)
23	PWMI	I	Spindle motor external control input (Connected to ground)
24	LOCK	I/O	GFS is sampled by 460 Hz. H when GFS is H (Not used)
25	MDP	O	Output to control spindle motor servo
26	SSTP	I	Input signal to detect disc inner most track
27	FSTO	O	2/3 divider output of pin 71 (Not used)
28	DVDD1	-	Digital power supply
29	SFDR	O	Sted drive output
30	SRDR	O	Sted drive output
31	TFDR	O	Tracking drive output
32	TRDR	O	Tracking drive output
33	FFDR	O	Focus drive output
34	FRDR	O	Focus drive output
35	DVSS1	-	Digital ground
36	TEST	I	TEST pin connected normally to ground
37	TES1	I	TEST pin connected normally to ground
38	VC	I	Center voltage input pin
39	FE	I	Focus error signal input
40	SE	I	Sted error signal input

• Abbreviation
GFS : Guarded Frame Sync

Pin No.	Pin Name	I/O	Function
41	TE	I	Tracking error signal input
42	CE	I	Center servo analog input
43	RFDC	I	RF signal input
44	ADIO	O	Test pin (Not used)
45	AVSS0	-	Analog ground
46	IGEN	I	Stabilized current input for operational amplifiers
47	AVDD0	-	Analog power supply
48	ASYO	O	EFM full swing output
49	ASY1	I	Asymmetry compare voltage input
50	RFAC	I	EFM signal input
51	AVSS1	-	Analog ground
52	CLTV	I	Control voltage input for master YCO1
53	FILO	O	Filter output for master PLL
54	FIL1	I	Filter input for master PLL
55	PCO	O	Charge-pump output for master PLL
56	AVDD1	-	Analog power supply
57	BIAS	I	Asymmetry circuit constant current input
58	VCTL	I	VCO2 control voltage input for wide band EFM PLL (Connected to VDD)
59	V16M	I/O	VCO2 oscillator input/output for wide band EFM PLL (Not used)
60	VPCO	O	Charge-pump output for wide band EFM PLL (Not used)
61	DVDD2	-	Digital power supply
62	ASYE	I	Asymmetry circuit ON/OFF input "L" : OFF, "H" : ON (Connected to VDD)
63	MD2	I	Digital-out ON/OFF control input (Connected to VDD)
64	DOUT	O	Digital-out output pin
65	LRCK	O	D/A interface LR clock output (f = Fs)
66	PCMD	O	D/A interface serial data output
67	BCLK	O	D/A interface bit clock output
68	EMPH	O	Playback disc output in emphasis mode (Not used)
69	XTSL	I	X'tal selection input (Connected to ground)
70	DVSS2	-	Digital ground
71	XTAI	I	X'tal oscillator circuit input
72	XTAO	O	X'tal oscillator circuit output (Not used)
73	SOUT	O	Serial data output in servo block (Not used)
74	SOCK	O	Serial data read clock output in servo block (Not used)
75	XOLT	O	Serial data latch output in servo block (Not used)
76	SQSO	O	Sub-Q 80-bit and PCM peak level data output (CD text data output)
77	SQCK	I	Clock input for SQSO read-out
78	SCSY	I	Connected to ground
79	SBSO	O	Sub-P through Sub-W serial output (Not used)
80	EXCK	I	Clock input for SBSO read-out (Connected to ground)

• Abbreviation
EFM : Eight to Fourteen Modulation
PLL : Phase Locked Loop

• IC501 SYSTEM CONTROL (CXP82832-012Q)(DISPLAY board)

Pin No.	Pin Name	I/O	Function
1	13G	O	FL grid signal output
2	14G	O	FL grid signal output
3	NC	–	Connected to VDD
4	+5V	–	Power supply (+5V)
5	SCOR	I	Sub code sync input
6, 7	VDD	–	Power supply
8	RMIN	I	Remote control signal input
9	VDD	–	Power supply (+5V)
10, 11	X	–	Not used (Open)
12	LD OUT	O	Loading motor control
13	LD IN	I	Loading motor control
14	SENS	I	Sense signal input
15	XLT	O	Serial latch output
16	AMUTE	O	Audio mute output
17	PGML	O	Digital filter latch output
18	SENSOR. IN	–	Connected to VDD
19	BUSOUT	O	CONTROL-A1 transmission output
20	BUSIN	I	CONTROL-A1 receive input
21	SENSOR. SW	–	Not used (Open)
22	CLK	O	Serial clock output
23	LDON	O	Optical pick-up laser diode control output
24	DATA	O	Serial data output
25	SQCK	O	Subcode Q data readout clock output
26	SUBQ	I	Subcode Q data input
27	VDD (+5V)	–	Power supply (+5V)
28	AVREF	I	Analog reference voltage input
29	KEY 0	I	Key input
30	KEY 1	I	Key input
31	KEY 2	I	Key input
32	FILTER. SW	–	Connected to ground
33	ADJ/AFADJ	I	Test mode terminal
34	LOADSW	O	Load in/out select control output
35	MODEL. SEL1	–	Model select pin (Connected to ground)
36	MODEL. SEL2	–	Model select pin (Connected to ground)
37	AVSS	–	Analog ground
38	RST	I	Reset signal input
39	EXTAL	I	8 MHz clock input
40	XTAL	I	8 MHz clock output

• Abbreviation

FL : Fluorescent indicator tube

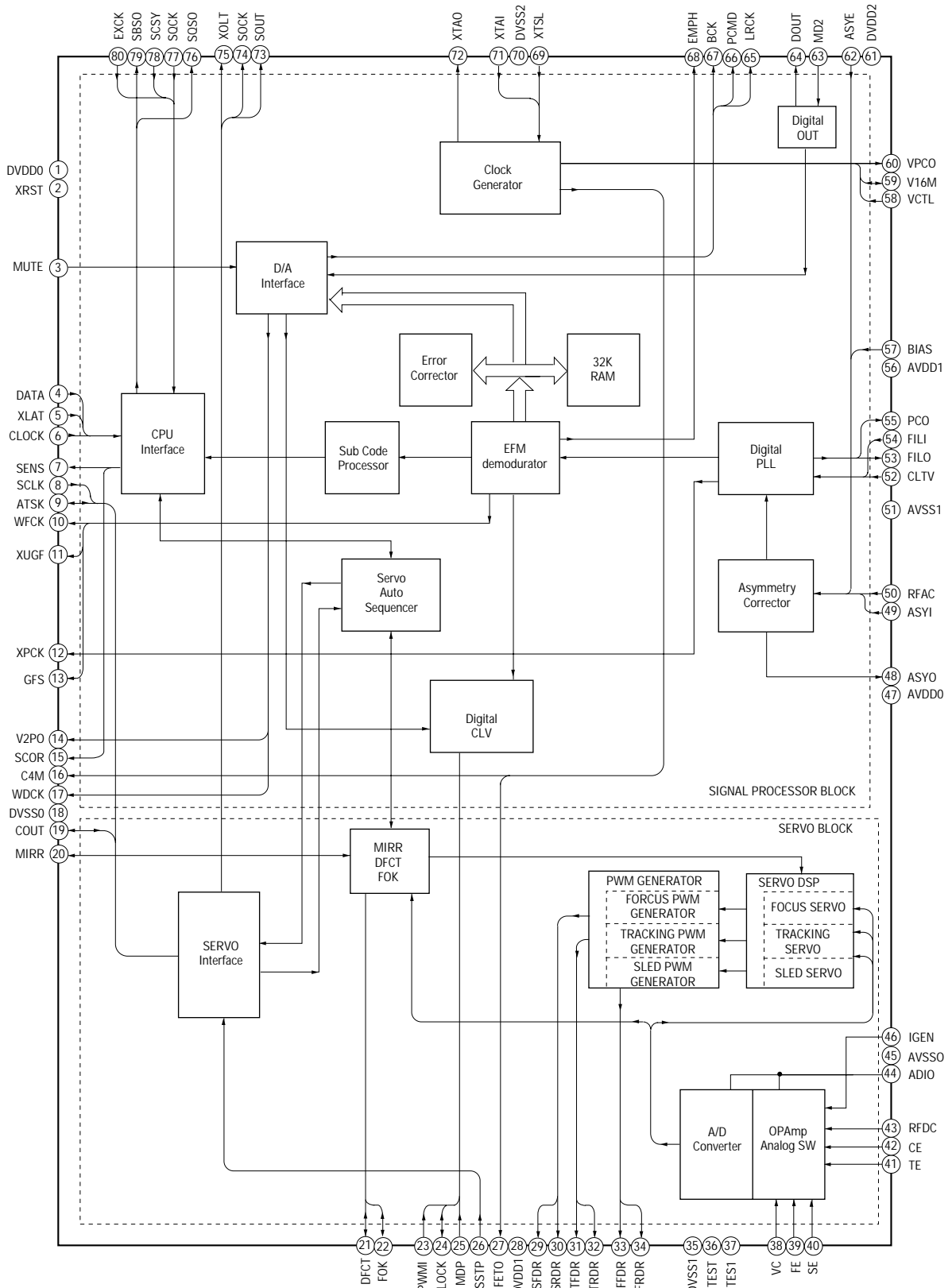
Pin No.	Pin Name	I/O	Function
41	VSS	–	Ground
42	TX	–	Not used
43	TEX	–	Connected to ground
44	VDD (+5V)	–	Power supply (+5V)
45	VFDP (–30V)	–	Pull down voltage (–30V)
46	XSEL	O	Not used
47	—	–	Not used
48	LP CONTROL	O	LP control hold output
49 to 66	OPEN	–	Not used
67 to 87	S21 to S1	O	FL segment signal output
88	1G	O	FL grid signal output
89	VDD (+5V)	–	Power supply (+5V)
90 to 100	2G to 12G	O	FL grid signal output

- Abbreviation

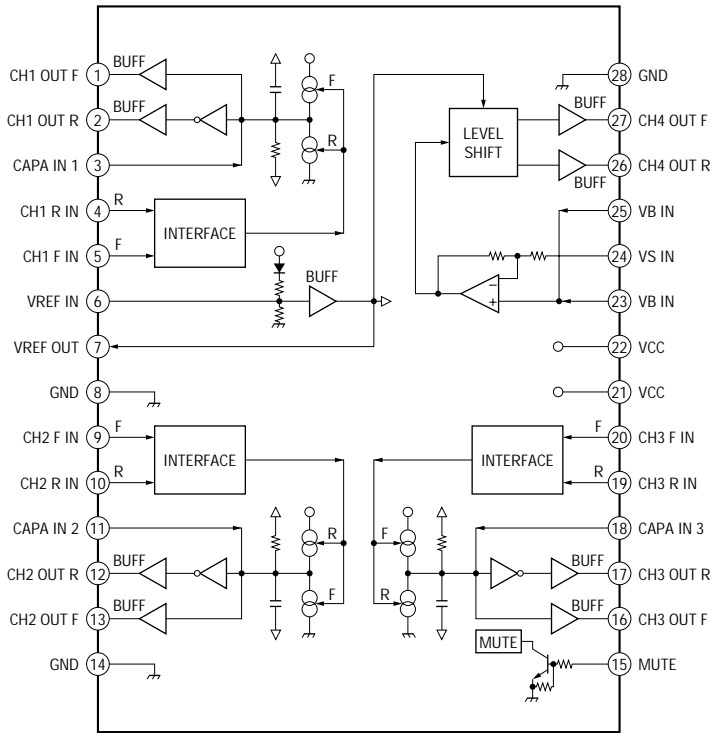
FL : Fluorescent indicator tube

6-11. IC BLOCK DIAGRAMS

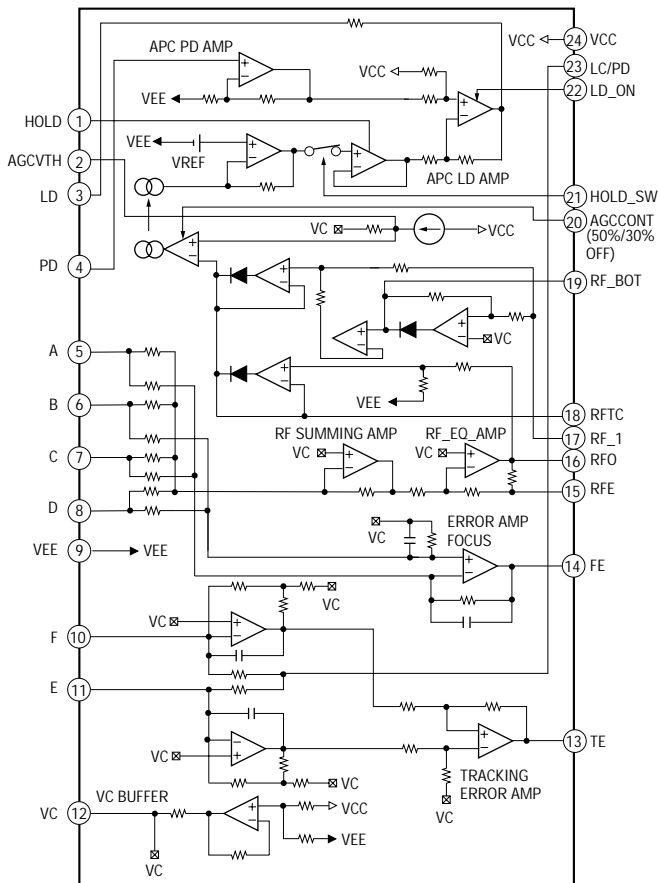
• BD SECTION IC101 CXD2585Q



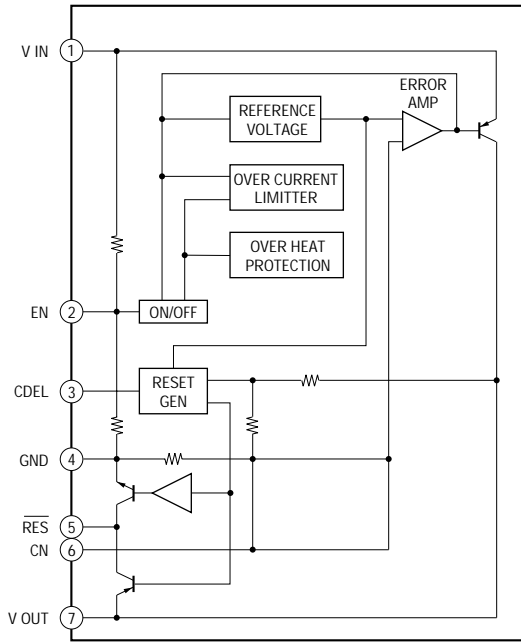
IC102 BA6392FP



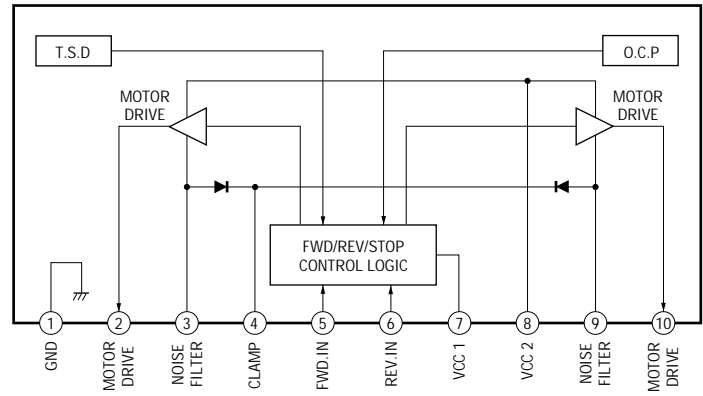
IC103 CXA2568M



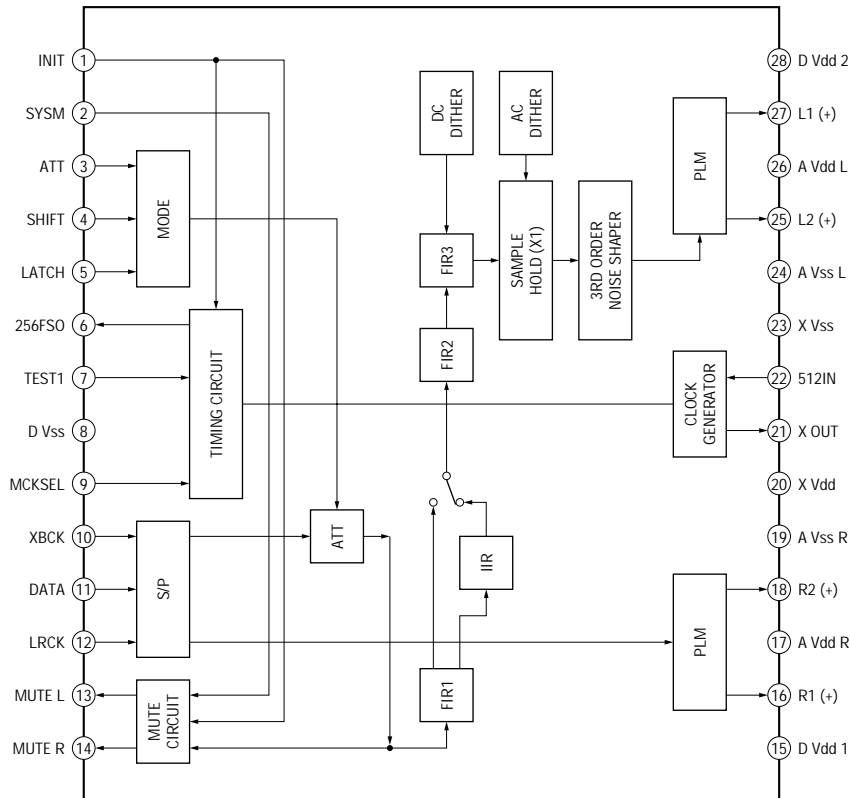
• MAIN SECTION
IC601 LA5602



IC631 LB1641



IC661 CXD8567AM



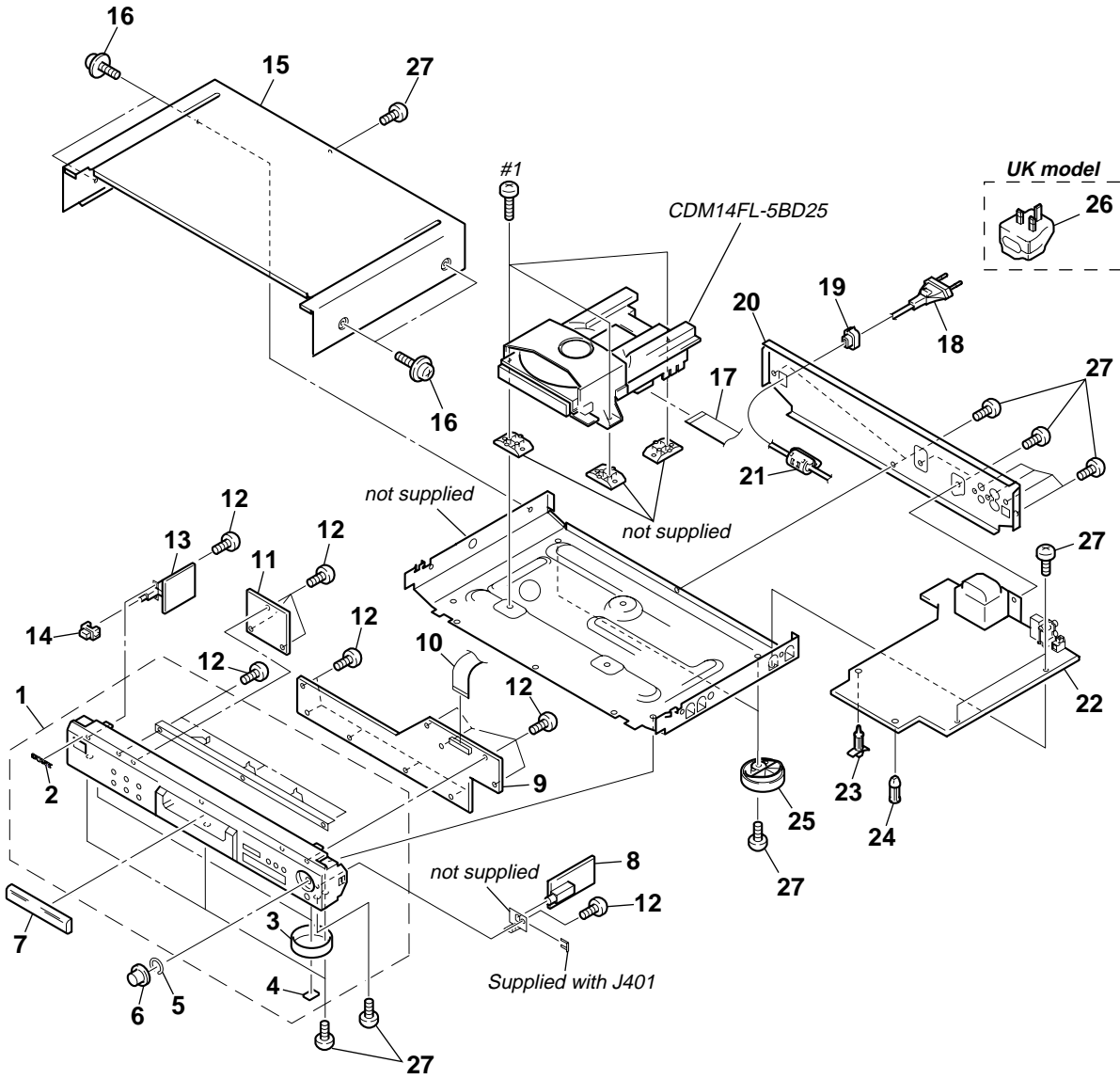
SECTION 7 EXPLODED VIEWS

NOTE:

- -XX, -X mean standardized parts, so they may have some differences from the original one.
- Items marked “*” are not stocked since they are seldom required for routine service. Some delay should be anticipated when ordering these items.
- The mechanical parts with no reference number in the exploded views are not supplied.
- Hardware (# mark) list and accessories and packing materials are given in the last of this parts list.
- Abbreviation
AED : North European
- Color Indication of Appearance Parts
Example:
KNOB, BALANCE (RED)
↑
Cabinet's Color

The components identified by mark \triangle or dotted line with mark \triangle are critical for safety. Replace only with part number specified.

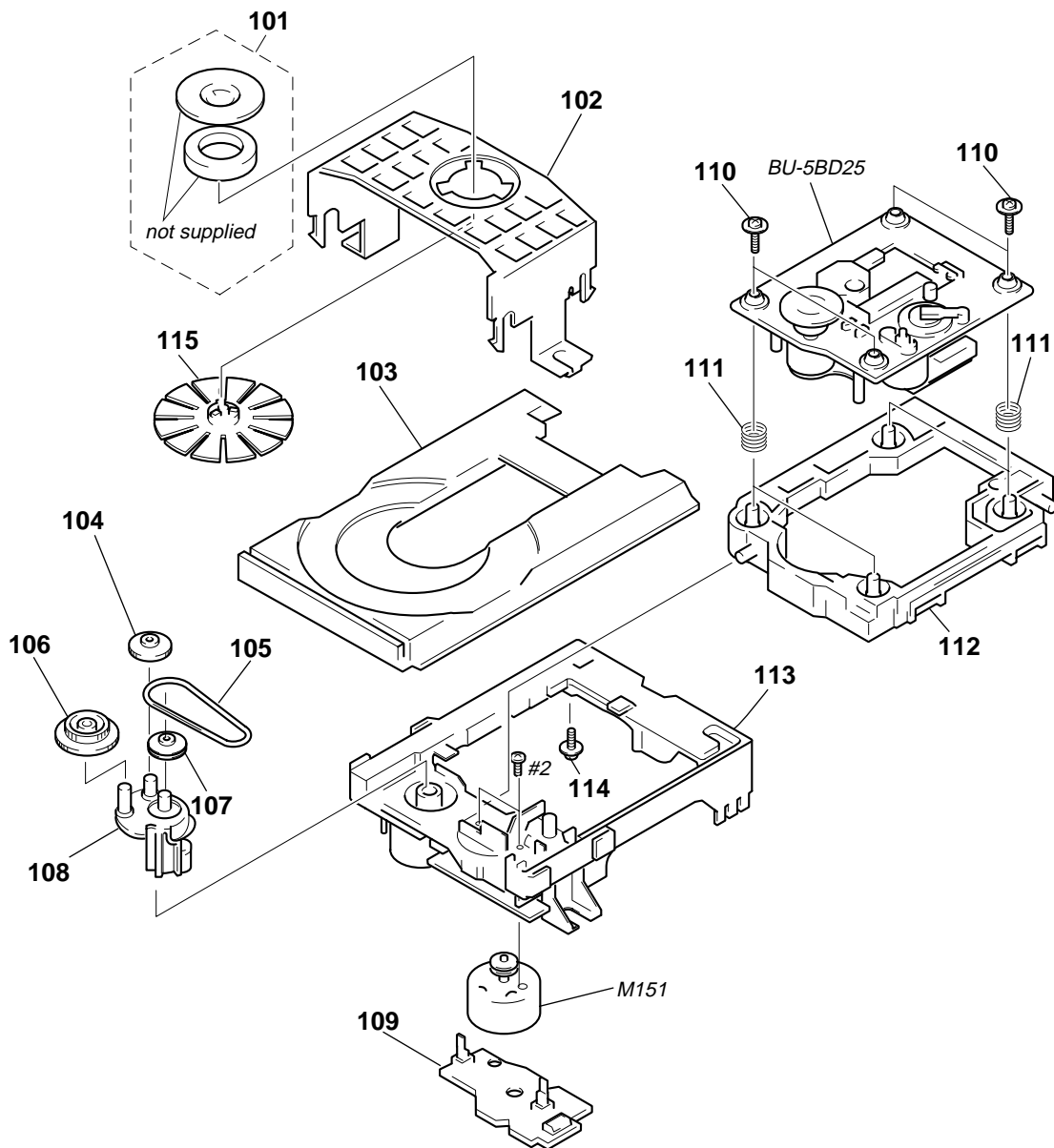
7-1. FRONT PANEL AND CASE SECTION



Ref. No.	Part No.	Description	Remarks	Ref. No.	Part No.	Description	Remarks
1	X-4950-693-1	PANEL ASSY, FRONT(BLACK)		16	4-210-291-01	SCREW (CASE 3 TP2)(BLACK)(AEP,AED,CIS)	
1	X-4950-694-1	PANEL ASSY, FRONT(SILVER)		16	4-210-291-11	SCREW (CASE 3 TP2)(SILVER)(AEP)	
2	4-996-698-01	EMBLEM, SONY		16	4-999-877-01	SCREW (CASE)(UK)	
3	4-977-593-11	RING(DIA. 50), ORNAMENTAL		17	1-776-100-11	WIRE(FLAT TYPE) (23 CORE)	
4	4-977-358-11	CUSHION(AEP,UK,CIS)		△ 18	1-575-651-21	CORD, POWER	
5	3-354-981-11	SPRING (SUS), RING		19	4-966-267-11	BUSHING (FBS001), CORD	
6	4-996-687-11	KNOB(AMS)(SILVER)		* 20	4-214-172-02	PANEL, BACK(AEP,AED,CIS)	
6	4-996-687-51	KNOB(AMS)(BLACK)		* 20	4-214-172-12	PANEL, BACK(UK)	
7	4-214-165-11	PANEL, LOADING(BLACK)		21	1-500-386-11	FILTER, CLAMP (FERRITE CORE)	
7	4-214-165-21	PANEL, LOADING(SILVER)		* 22	A-4724-503-A	MAIN BOARD, COMPLETE(AEP,AED,CIS)	
* 8	A-4724-504-A	HP BOARD, COMPLETE		* 22	A-4724-507-A	MAIN BOARD, COMPLETE(UK)	
* 9	A-4724-502-A	DISPLAY BOARD, COMPLETE		* 23	4-954-051-51	HOLDER, PC BOARD	
10	1-773-210-11	WIRE(FLAT TYPE) (25 CORE)		* 24	3-349-025-41	HOLDER, PC BOARD	
* 11	1-672-318-11	KEY BOARD		25	X-4947-124-1	FOOT ASSY (F50150S)(SILVER)	
12	4-951-620-01	SCREW (2.6 × 8), +BVTP		25	X-4947-207-1	FOOT ASSY (F50150S)(BLACK)	
* 13	1-672-319-11	POWER SW BOARD		△ 26	1-770-019-11	ADAPTOR, CONVERSION PLUG 3P(UK)	
14	3-931-429-62	BUTTON (POWER)(BLACK)		27	4-974-510-01	SCREW (+BV 3 × 8 CU)(UK)	
14	3-931-429-81	BUTTON (POWER)(SILVER)		27	7-685-646-79	SCREW (+BVTP 3 × 8 TYPE2 N-S)	(AEP,AED,CIS)
* 15	4-217-585-01	CASE (409526)(SILVER)					
* 15	4-980-777-01	CASE (409526)(BLACK)					

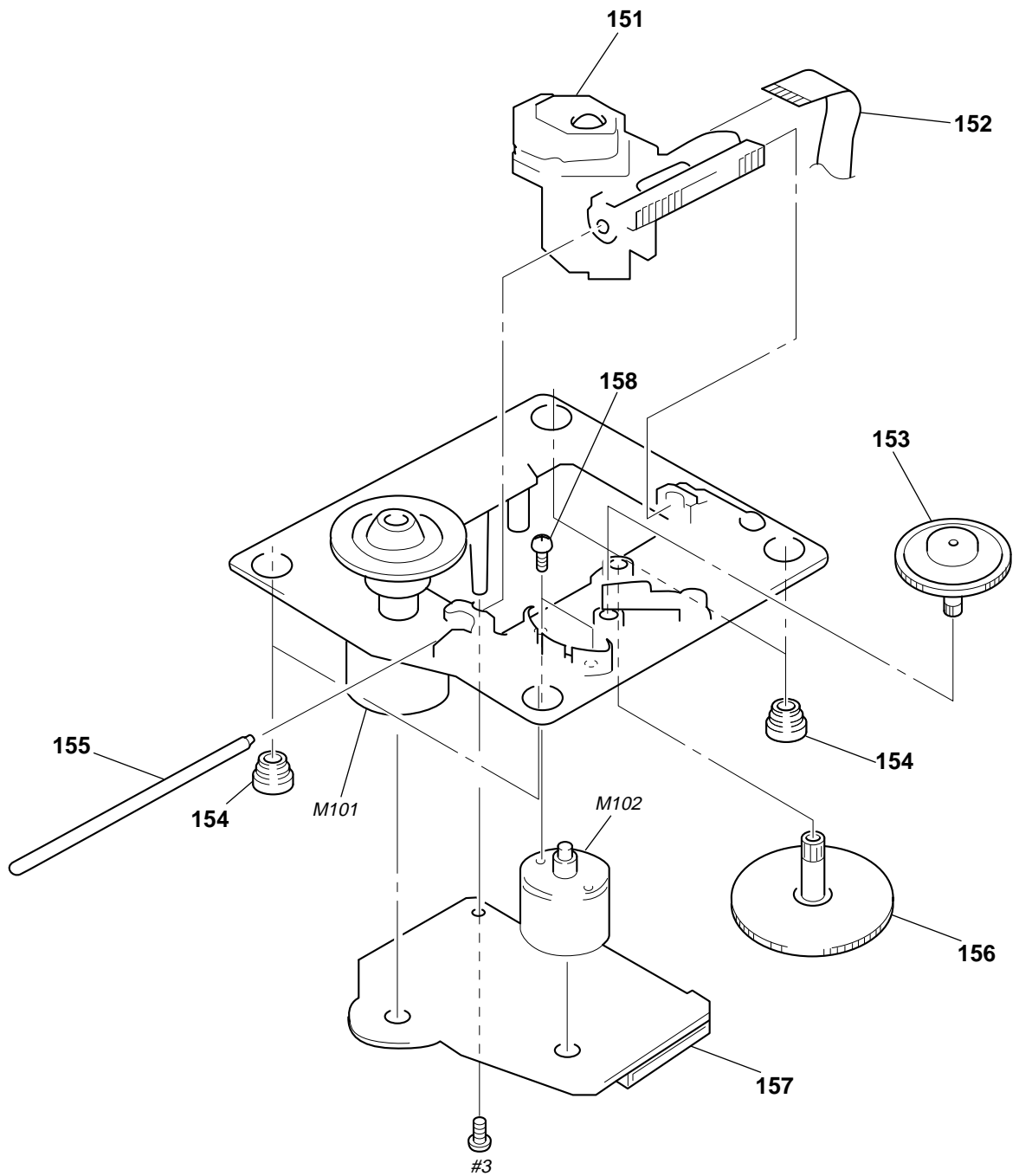
The components identified by mark △ or dotted line with mark △ are critical for safety. Replace only with part number specified.

7-2. CD MECHANISM SECTION (CDM14FL-5BD25)



Ref. No.	Part No.	Description	Remarks	Ref. No.	Part No.	Description	Remarks
101	1-452-925-21	MAGNET ASSY		109	1-645-721-11	LOADING BOARD	
102	4-933-110-41	HOLDER (MG)		110	4-933-134-01	SCREW (+PTPWH M2.6 × 6)	
103	4-995-814-21	TABLE (FL), DISC		111	4-959-996-01	SPRING (932), COMPRESSION	
104	4-967-268-01	GEAR (C)		112	4-933-129-01	HOLDER (BU)	
105	4-927-649-01	BELT		113	4-933-111-41	CHASSIS (MD)	
106	4-933-107-01	GEAR (PL)		114	4-917-583-21	BRACKET, YOKE	
107	4-927-651-01	PULLEY (S)		115	4-993-142-21	PULLEY (L), PRESS	
108	4-933-109-01	CAM		M151	A-4604-363-A	MOTOR (L) ASSY	

7-3. BASE UNIT SECTION (BU-5BD25)



Ref. No.	Part No.	Description	Remarks	Ref. No.	Part No.	Description	Remarks
△ 151	8-848-379-31	OPTICAL PICK-UP KSS-213BA/F-NP		156	4-917-564-01	GEAR (P), FLATNESS	
152	1-769-069-11	WIRE (FLAT TYPE) (16 CORE)		* 157	A-4724-002-A	BD BOARD, COMPLETE	
153	4-917-567-01	GEAR (M)		158	3-713-786-51	SCREW +P 2 × 3	
154	4-951-940-01	INSULATOR (BU)		M101	X-4917-523-4	MOTOR ASSY(SPINDLER)	
155	4-917-565-01	SHAFT, SLED		M102	X-4917-504-1	MOTOR ASSY(SLED)	

The components identified by mark △ or dotted line with mark △ are critical for safety. Replace only with part number specified.

SECTION 8 ELECTRICAL PARTS LIST

NOTE:

- Due to standardization, replacements in the parts list may be different from the parts specified in the diagrams or the components used on the set.
- -XX, -X mean standardized parts, so they may have some difference from the original one.
- Items marked “**” are not stocked since they are seldom required for routine service. Some delay should be anticipated when ordering these items.

- CAPACITORS:
uF: μF
- RESISTORS
All resistors are in ohms.
METAL: metal-film resistor
METAL OXIDE: Metal Oxide-film resistor
F: nonflammable
- COILS
uH: μH
- Abbreviation
AED : North European

- SEMICONDUCTORS
In each case, u: μ, for example:
uA...: μA... , uPA... , μPA... ,
uPB... , μPB... , uPC... , μPC... ,
uPD... , μPD...

When indicating parts by reference number, please include the board name.

The components identified by mark Δ or dotted line with mark Δ are critical for safety. Replace only with part number specified.

Ref. No.	Part No.	Description	Remarks	Ref. No.	Part No.	Description	Remarks
*	A-4724-002-A	BD BOARD, COMPLETE *****				< JUMPER RESISTOR >	
		< CAPACITOR >					
C101	1-163-005-11	CERAMIC CHIP 470PF	10% 50V	JW102	1-216-295-91	SHORT 0	
C102	1-163-038-91	CERAMIC CHIP 0.1uF	25V			< COIL >	
C103	1-163-005-11	CERAMIC CHIP 470PF	10% 50V	L101	1-414-234-22	INDUCTOR CHIP 0uH	
C105	1-135-155-21	TANTALUM CHIP 4.7uF	10% 16V			< TRANSISTOR >	
C106	1-164-346-11	CERAMIC CHIP 1uF	16V	Q101	8-729-010-08	TRANSISTOR MSB710-R	
C107	1-164-346-11	CERAMIC CHIP 1uF	16V			< RESISTOR >	
C108	1-163-035-00	CERAMIC CHIP 0.047uF	50V	R101	1-216-077-00	METAL CHIP 15K	5% 1/10W
C109	1-163-145-00	CERAMIC CHIP 0.0015uF	5% 50V	R102	1-216-097-91	RES,CHIP 100K	5% 1/10W
C110	1-163-017-00	CERAMIC CHIP 0.0047uF	5% 50V	R103	1-216-077-00	METAL CHIP 15K	5% 1/10W
C111	1-163-251-11	CERAMIC CHIP 100PF	5% 50V	R104	1-216-085-00	METAL CHIP 33K	5% 1/10W
C112	1-163-038-91	CERAMIC CHIP 0.1uF	25V	R105	1-216-097-91	RES,CHIP 100K	5% 1/10W
C113	1-163-038-91	CERAMIC CHIP 0.1uF	25V	R106	1-216-061-00	METAL CHIP 3.3K	5% 1/10W
C115	1-126-607-11	ELECT CHIP 47uF	20% 4V	R107	1-216-061-00	METAL CHIP 3.3K	5% 1/10W
C116	1-126-607-11	ELECT CHIP 47uF	20% 4V	R108	1-216-073-00	METAL CHIP 10K	5% 1/10W
C117	1-126-209-11	ELECT CHIP 100uF	20% 4V	R109	1-216-121-91	RES,CHIP 1M	5% 1/10W
C118	1-163-275-11	CERAMIC CHIP 0.001uF	5% 50V	R110	1-216-025-91	RES,CHIP 100	5% 1/10W
C119	1-163-231-11	CERAMIC CHIP 15PF	5% 50V	R112	1-216-049-91	RES,CHIP 1K	5% 1/10W
C120	1-164-004-11	CERAMIC CHIP 0.1uF	10% 25V	R123	1-216-073-00	METAL CHIP 10K	5% 1/10W
C121	1-109-982-11	CERAMIC CHIP 1uF	10% 10V	R124	1-216-097-91	RES,CHIP 100K	5% 1/10W
C122	1-163-021-91	CERAMIC CHIP 0.01uF	10% 50V	R125	1-216-037-00	METAL CHIP 330	5% 1/10W
C123	1-163-021-91	CERAMIC CHIP 0.01uF	10% 50V	R126	1-216-037-00	METAL CHIP 330	5% 1/10W
C124	1-164-005-11	CERAMIC CHIP 0.47uF	25V	R127	1-216-037-00	METAL CHIP 330	5% 1/10W
C125	1-163-217-11	CERAMIC CHIP 1PF	0.25PF 50V	R131	1-216-037-00	METAL CHIP 330	5% 1/10W
C126	1-135-216-11	TANTALUM CHIP 10uF	20% 10V	R135	1-216-295-91	SHORT 0	
C140	1-163-038-91	CERAMIC CHIP 0.1uF	25V	R136	1-216-295-91	SHORT 0	
C141	1-163-038-91	CERAMIC CHIP 0.1uF	25V	R137	1-216-295-91	SHORT 0	
C151	1-163-237-11	CERAMIC CHIP 27PF	5% 50V	R138	1-216-295-91	SHORT 0	
C153	1-163-038-91	CERAMIC CHIP 0.1uF	25V	R143	1-216-103-00	METAL CHIP 180K	5% 1/10W
C154	1-164-336-11	CERAMIC CHIP 0.33uF	25V	R144	1-216-103-00	METAL CHIP 180K	5% 1/10W
C156	1-163-237-11	CERAMIC CHIP 27PF	5% 50V	R145	1-216-121-91	RES,CHIP 1M	5% 1/10W
C157	1-163-145-00	CERAMIC CHIP 0.0015uF	5% 50V	R146	1-216-121-91	RES,CHIP 1M	5% 1/10W
C159	1-163-019-00	CERAMIC CHIP 0.0068uF	10% 50V	R147	1-216-081-00	METAL CHIP 22K	5% 1/10W
C161	1-163-038-91	CERAMIC CHIP 0.1uF	25V	R148	1-216-001-00	METAL CHIP 10	5% 1/10W
		< CONNECTOR >		R149	1-216-003-11	RES,CHIP 12	5% 1/10W
CN101	1-770-072-11	CONNECTOR,(LIF(NON-ZIF))FFC23P		R158	1-216-111-00	METAL CHIP 390K	5% 1/10W
CN102	1-770-014-11	CONNECTOR, FFC/FPC 16P		R159	1-216-101-00	METAL CHIP 150K	5% 1/10W
		< IC >		R161	1-216-308-00	METAL CHIP 4.7	5% 1/10W
IC101	8-752-389-34	IC CXD2585Q		R162	1-216-101-00	METAL CHIP 150K	5% 1/10W
IC102	8-759-455-91	IC BA6392FP-E2				< SWITCH >	
IC103	8-752-085-51	IC CXA2568M-T6		S101	1-572-085-11	SWITCH, LEAF (LIMIT IN)	

DISPLAY**HP****KEY****LOADING**

Ref. No.	Part No.	Description	Remarks	Ref. No.	Part No.	Description	Remarks
*	A-4724-502-A	DISPLAY BOARD, COMPLETE *****		S521	1-762-752-11	SWITCH, TACTILE(≡OPEN/CLOSE)	
				S522	1-762-752-11	SWITCH, TACTILE(▷)	
				S523	1-762-752-11	SWITCH, TACTILE(■)	
*	4-997-495-01	GUIDE(FL) < CAPACITOR >		S524	1-762-752-11	SWITCH, TACTILE(■)	
				S531	1-475-543-11	ENCODER, ROTARY(AMS)	
						< VIBRATOR >	
C502	1-164-159-11	CERAMIC 0.1uF	50V	X501	1-579-125-11	VIBRATOR, CERAMIC 8MHZ	
C503	1-124-584-00	ELECT 100uF	20% 10V	*****			
C505	1-164-159-11	CERAMIC 0.1uF	50V	*	1-672-320-11	HEADPHONE BOARD *****	
C506	1-164-159-11	CERAMIC 0.1uF	50V			< CAPACITOR >	
C507	1-161-494-00	CERAMIC 0.022uF	25V				
						< DIODE >	
				C401	1-161-494-00	CERAMIC 0.022uF	25V
				C402	1-162-291-31	CERAMIC 560PF	10% 50V
				C403	1-162-291-31	CERAMIC 560PF	10% 50V
						< JACK >	
				D401	8-719-911-19	DIODE 1SS119	
				D402	8-719-911-19	DIODE 1SS119	
						< COIL >	
				J401	1-770-307-11	JACK (LARGE TYPE)(PHONES)	
						< RESISTOR >	
				L402	1-412-911-11	FERRITE 0uH	
				L403	1-412-911-11	FERRITE 0uH	

				*	1-672-318-11	KEY BOARD *****	
						< RESISTOR >	
				R502	1-249-415-11	CARBON 680	5% 1/4W F
				R503	1-249-417-11	CARBON 1K	5% 1/4W F
				R504	1-249-419-11	CARBON 1.5K	5% 1/4W F
				R505	1-249-421-11	CARBON 2.2K	5% 1/4W F
				R506	1-247-843-11	CARBON 3.3K	5% 1/4W F
						< SWITCH >	
				S501	1-762-752-11	SWITCH, TACTILE(LANGUAGE)	
				S502	1-762-752-11	SWITCH, TACTILE(MUSIC SCAN)	
				S503	1-762-752-11	SWITCH, TACTILE(PEAK SEARCH)	
				S504	1-762-752-11	SWITCH, TACTILE(PLAY MODE)	
				S505	1-762-752-11	SWITCH, TACTILE(REPEAT)	
				S506	1-762-752-11	SWITCH, TACTILE(TIME/TEXT)	

					1-645-721-11	LOADING BOARD *****	
						< CONNECTOR >	
				* CN151	1-568-943-11	PIN, CONNECTOR 5P	
						< MOTOR >	
				M151	A-4604-363-A	MOTOR (L) ASSY	
						< SWITCH >	
				S151	1-572-086-11	SWITCH, LEAF(LOAD OUT)	
				S152	1-572-086-11	SWITCH, LEAF(LOAD IN)	

						< SWITCH >	
				S151	1-572-086-11	SWITCH, LEAF(LOAD OUT)	
				S152	1-572-086-11	SWITCH, LEAF(LOAD IN)	

						< SWITCH >	
				S151	1-572-086-11	SWITCH, LEAF(LOAD OUT)	
				S152	1-572-086-11	SWITCH, LEAF(LOAD IN)	

						< SWITCH >	
				S151	1-572-086-11	SWITCH, LEAF(LOAD OUT)	
				S152	1-572-086-11	SWITCH, LEAF(LOAD IN)	

						< SWITCH >	
				S151	1-572-086-11	SWITCH, LEAF(LOAD OUT)	
				S152	1-572-086-11	SWITCH, LEAF(LOAD IN)	

						< SWITCH >	
				S151	1-572-086-11	SWITCH, LEAF(LOAD OUT)	
				S152	1-572-086-11	SWITCH, LEAF(LOAD IN)	

						< SWITCH >	
				S151	1-572-086-11	SWITCH, LEAF(LOAD OUT)	
				S152	1-572-086-11	SWITCH, LEAF(LOAD IN)	

						< SWITCH >	
				S151	1-572-086-11	SWITCH, LEAF(LOAD OUT)	
				S152	1-572-086-11	SWITCH, LEAF(LOAD IN)	

						< SWITCH >	
				S151	1-572-086-11	SWITCH, LEAF(LOAD OUT)	
				S152	1-572-086-11	SWITCH, LEAF(LOAD IN)	

						< SWITCH >	
				S151	1-572-086-11	SWITCH, LEAF(LOAD OUT)	
				S152	1-572-086-11	SWITCH, LEAF(LOAD IN)	

						< SWITCH >	
				S151	1-572-086-11	SWITCH, LEAF(LOAD OUT)	
				S152	1-572-086-11	SWITCH, LEAF(LOAD IN)	

						< SWITCH >	
				S151	1-572-086-11	SWITCH, LEAF(LOAD OUT)	
				S152	1-572-086-11	SWITCH, LEAF(LOAD IN)	

						< SWITCH >	
				S151	1-572-086-11	SWITCH, LEAF(LOAD OUT)	
				S152	1-572-086-11	SWITCH, LEAF(LOAD IN)	

						< SWITCH >	
				S151	1-572-086-11	SWITCH, LEAF(LOAD OUT)	
				S152	1-572-086-11	SWITCH, LEAF(LOAD IN)	

						< SWITCH >	
				S151	1-572-086-11	SWITCH, LEAF(LOAD OUT)	
				S152	1-572-086-11	SWITCH, LEAF(LOAD IN)	

						< SWITCH >	
				S151	1-572-086-11	SWITCH, LEAF(LOAD OUT)	
				S152	1-572-086-11	SWITCH, LEAF(LOAD IN)	

						< SWITCH >	
				S151	1-572-086-11	SWITCH, LEAF(LOAD OUT)	
				S152	1-572-086-11	SWITCH, LEAF(LOAD IN)	

						< SWITCH >	
				S151	1-572-086-11	SWITCH, LEAF(LOAD OUT)	
				S152	1-572-086-11	SWITCH, LEAF(LOAD IN)	

						< SWITCH >	
				S151	1-572-086-11	SWITCH, LEAF(LOAD OUT)	
				S152	1-572-086-11	SWITCH, LEAF(LOAD IN)	

						< SWITCH >	
				S151	1-572-086-11	SWITCH, LEAF(LOAD OUT)	
				S152	1-572-086-11	SWITCH, LEAF(LOAD IN)	

						< SWITCH >	
				S151	1-572-086-11	SWITCH, LEAF(LOAD OUT)	
				S152	1-572-086-11	SWITCH, LEAF(LOAD IN)	

						< SWITCH >	
				S151	1-572-086-11	SWITCH, LEAF(LOAD OUT)	
				S152	1-572-086-11	SWITCH, LEAF(LOAD IN)	

						< SWITCH >	
				S151	1-572-086-11	SWITCH, LEAF(LOAD OUT)	
				S152	1-572-086-11	SWITCH, LEAF(LOAD IN)	

						< SWITCH >	
				S151	1-572-086-11	SWITCH, LEAF(LOAD OUT)	
				S152	1-572-086-11	SWITCH, LEAF(LOAD IN)	

						< SWITCH >	
				S151	1-572-086-11	SWITCH, LEAF(LOAD OUT)	
				S152	1-572-086-11	SWITCH, LEAF(LOAD IN)	

						< SWITCH >	
				S151	1-572-086-11	SWITCH, LEAF(LOAD OUT)	
				S152	1-572-086-11	SWITCH, LEAF(LOAD IN)	

						< SWITCH >	
				S151	1-572-086-11	SWITCH, LEAF(LOAD OUT)	
				S152	1-572-086-11	SWITCH, LEAF(LOAD IN)	

						< SWITCH >	
				S151	1-572-086-11	SWITCH, LEAF(LOAD OUT)	
				S152	1-572-086-11	SWITCH, LEAF(LOAD IN)	

						< SWITCH >	
				S151	1-572-086-11	SWITCH, LEAF(LOAD OUT)	
				S152	1-572-086-11	SWITCH, LEAF(LOAD IN)	

						< SWITCH >	
				S151	1-572-086-11	SWITCH, LEAF(LOAD OUT)	
				S152	1-572-086-11	SWITCH, LEAF(LOAD IN)	

						< SWITCH >	
				S151	1-572-086-11	SWITCH, LEAF(LOAD OUT)	
				S152	1-572-086-11	SWITCH, LEAF(LOAD IN)	

						< SWITCH >	
				S151	1-572-086-11	SWITCH, LEAF(LOAD OUT)	
				S152	1-572-086-11	SWITCH, LEAF(LOAD IN)	

						< SWITCH >	
				S151	1-572-086-11	SWITCH, LEAF(LOAD OUT)	
				S152	1-572-086-11	SWITCH, LEAF(LOAD IN)	

						< SWITCH >	
				S151	1-572-086-11	SWITCH, LEAF(LOAD OUT)	
				S152	1-572-086-11	SWITCH, LEAF(LOAD IN)	

						< SWITCH >	
				S151	1-572-086-11	SWITCH, LEAF(LOAD OUT)	
				S152	1-572-086-11	SWITCH, LEAF(LOAD IN)	

						< SWITCH >	
				S151	1-572-086-11	SWITCH, LEAF(LOAD OUT)	
				S152	1-572-086-11	SWITCH, LEAF(LOAD IN)	

						< SWITCH >	
				S151	1-572-086-11	SWITCH, LEAF(LOAD OUT)	
				S152	1-572-086-11	SWITCH, LEAF(LOAD IN)	

						< SWITCH >	
				S151	1-572-086-11	SWITCH, LEAF(LOAD OUT)	
				S152	1-572-086-11	SWITCH, LEAF(LOAD IN)	

				</			

Ref. No.	Part No.	Description	Remarks	Ref. No.	Part No.	Description	Remarks
		< IC >		R651	1-249-429-11	CARBON 10K 5%	1/4W
IC601	8-759-061-65	IC LA5602		R661	1-249-417-11	CARBON 1K 5%	1/4W F
IC602	8-749-011-78	IC BA17807T		R662	1-249-417-11	CARBON 1K 5%	1/4W F
IC631	8-759-822-09	IC LB1641		R663	1-249-417-11	CARBON 1K 5%	1/4W F
IC651	8-749-921-12	IC GP1F32T(DIGITAL OUT OPTICAL)		R664	1-249-409-11	CARBON 220 5%	1/4W F
IC661	8-759-362-47	IC CXD8567AM		R665	1-247-807-31	CARBON 100 5%	1/4W
IC671	8-759-604-86	IC M5F7807L		R666	1-247-807-31	CARBON 100 5%	1/4W
IC672	8-759-604-90	IC M5F7907L		R667	1-247-807-31	CARBON 100 5%	1/4W
IC681	8-759-634-51	IC M5218AP		R668	1-249-417-11	CARBON 1K 5%	1/4W F
IC801	8-759-710-59	IC NJM4580D-D		R669	1-249-429-11	CARBON 10K 5%	1/4W
IC901	8-759-710-59	IC NJM4580D-D		R671	1-249-424-11	CARBON 3.9K 5%	1/4W F
		< JACK >		R672	1-249-401-11	CARBON 47 5%	1/4W F
J621	1-774-726-11	JACK(S-LINK CONTROL A1)		R673	1-247-807-31	CARBON 100 5%	1/4W
J681	1-785-868-11	JACK, PIN 2P(LINE OUT)		R681	1-249-441-11	CARBON 100K 5%	1/4W
		< COIL >		R682	1-249-419-11	CARBON 1.5K 5%	1/4W F
L640	1-410-507-11	INDUCTOR 6.8uH		R683	1-249-419-11	CARBON 1.5K 5%	1/4W F
L651	1-410-507-11	INDUCTOR 6.8uH		R691	1-249-441-11	CARBON 100K 5%	1/4W
L652	1-410-322-11	INDUCTOR 3.3uH		R692	1-249-419-11	CARBON 1.5K 5%	1/4W F
L653	1-410-322-11	INDUCTOR 3.3uH		R693	1-249-419-11	CARBON 1.5K 5%	1/4W F
L654	1-412-473-21	INDUCTOR 0uH		R801	1-249-436-11	CARBON 39K 5%	1/4W
L661	1-410-322-11	INDUCTOR 3.3uH		R802	1-249-436-11	CARBON 39K 5%	1/4W
L662	1-410-322-11	INDUCTOR 3.3uH		R803	1-249-431-11	CARBON 15K 5%	1/4W
L665	1-412-473-21	INDUCTOR 0uH		R804	1-249-431-11	CARBON 15K 5%	1/4W
L801	1-410-322-11	INDUCTOR 3.3uH		R805	1-249-437-11	CARBON 47K 5%	1/4W
L901	1-410-322-11	INDUCTOR 3.3uH		R806	1-249-437-11	CARBON 47K 5%	1/4W
		< TRANSISTOR >		R807	1-249-419-11	CARBON 1.5K 5%	1/4W F
Q621	8-729-620-05	TRANSISTOR 2SC2603-EF		R808	1-249-419-11	CARBON 1.5K 5%	1/4W F
Q641	8-729-119-76	TRANSISTOR 2SA1175-HFE		R809	1-249-441-11	CARBON 100K 5%	1/4W
Q642	8-729-041-38	TRANSISTOR 2SB1241TV2Q		R810	1-249-414-11	CARBON 560 5%	1/4W F
Q681	8-729-029-56	TRANSISTOR DTA144ESA		R812	1-247-807-31	CARBON 100 5%	1/4W
Q682	8-729-922-37	TRANSISTOR 2SD2144S		R821	1-249-403-11	CARBON 68 5%	1/4W F
Q683	8-729-922-37	TRANSISTOR 2SD2144S		R901	1-249-436-11	CARBON 39K 5%	1/4W
Q691	8-729-029-56	TRANSISTOR DTA144ESA		R902	1-249-436-11	CARBON 39K 5%	1/4W
Q692	8-729-922-37	TRANSISTOR 2SD2144S		R903	1-249-431-11	CARBON 15K 5%	1/4W
Q693	8-729-922-37	TRANSISTOR 2SD2144S		R904	1-249-431-11	CARBON 15K 5%	1/4W
		< RESISTOR >		R905	1-249-437-11	CARBON 47K 5%	1/4W
R611	1-249-429-11	CARBON 10K 5%	1/4W	R906	1-249-437-11	CARBON 47K 5%	1/4W
R612	1-249-411-11	CARBON 330 5%	1/4W	R907	1-249-419-11	CARBON 1.5K 5%	1/4W F
R622	1-249-429-11	CARBON 10K 5%	1/4W	R908	1-249-419-11	CARBON 1.5K 5%	1/4W F
R624	1-249-393-11	CARBON 10 5%	1/4W F	R909	1-249-441-11	CARBON 100K 5%	1/4W
R625	1-249-429-11	CARBON 10K 5%	1/4W	R910	1-249-414-11	CARBON 560 5%	1/4W F
R626	1-249-425-11	CARBON 4.7K 5%	1/4W F	R912	1-247-807-31	CARBON 100 5%	1/4W
R631	1-249-427-11	CARBON 6.8K 5%	1/4W F	R921	1-249-403-11	CARBON 68 5%	1/4W F
R641	1-249-432-11	CARBON 18K 5%	1/4W			< TRANSFORMER >	
R642	1-249-432-11	CARBON 18K 5%	1/4W	△T601	1-431-696-21	TRANSFORMER, POWER	
R643	1-249-441-11	CARBON 100K 5%	1/4W			< VIBRATOR >	
R644	1-249-441-11	CARBON 100K 5%	1/4W	X671	1-579-834-11	VIBRATOR, CRYSTAL 33MHZ	
R645	1-249-425-11	CARBON 4.7K 5%	1/4W F	*****			
R646	1-249-432-11	CARBON 18K 5%	1/4W				
R647	1-247-807-31	CARBON 100 5%	1/4W				
R648	1-247-807-31	CARBON 100 5%	1/4W				

The components identified by mark △ or dotted line with mark △ are critical for safety. Replace only with part number specified.

CDP-XE530

POWER SW

Ref. No.	Part No.	Description	Remarks
*	1-672-319-11	POWER SW BOARD *****	
	7-685-871-01	SCREW +BVTT 3 × 6 (S) < CAPACITOR >	
△ C621	1-113-924-11	CERAMIC 0.0047uF 20% 250V < CONNECTOR >	
* CN601	1-580-230-31	PIN, CONNECTOR (PC BOARD) 2P	
CN603	1-769-745-71	LEAD (WITH CONNECTOR) (2 CORE) < SWITCH >	
△ S601	1-572-267-51	SWITCH, PUSH (AC POWER)(1 KEY)(POWER) *****	
		MISCELLANEOUS *****	
10	1-773-210-11	WIRE(FLAT TYPE) (25 CORE)	
17	1-776-100-11	WIRE(FLAT TYPE) (23 CORE)	
△ 18	1-575-651-21	CORD, POWER	
21	1-500-386-11	FILTER, CLAMP (FERRITE CORE)	
△ 26	1-770-019-11	ADAPTOR, CONVERSION PLUG 3P(UK)	
101	1-452-925-21	MAGNET ASSY	
△ 151	8-848-379-31	OPTICAL PICK-UP KSS-213BA/F-NP	
152	1-769-069-11	WIRE (FLAT TYPE) (16 CORE)	
M101	X-4917-523-4	MOTOR ASSY(SPINDLE)	
M102	X-4917-504-1	MOTOR ASSY(SLED)	
M151	A-4604-363-A	MOTOR (L) ASSY	

Ref. No.	Part No.	Description	Remarks
		ACCESSORIES & PACKING MATERIALS *****	
	1-473-720-11	REMOTECOMMANDER (RM-DX50)	
	1-776-263-11	CORD,CONNECTION (AUDIO)	
	3-810-765-11	MANUAL,COMMONNESS INSTRUCTION (ENGLISH)(UK)	
	3-810-765-21	MANUAL,COMMONNESS INSTRUCTION (ENGLISH/FRENCH/GERMAN/SPANISH/DUTCH/ SWEDISH/ITALIAN/PORTUGUESE/CHINESE)(AEP)	
	3-810-765-82	MANUAL,COMMONNESS INSTRUCTION (SWEDISH/DANISH/FINNISH)(AED)	
	3-810-765-92	MANUAL,COMMONNESS INSTRUCTION (ENGLISH/POLISH/RUSSIAN)(CIS)	
	3-865-462-11	MANUAL, INSTRUCTION (ENGLISH/FRENCH/SPANISH)(AEP/UK)	
	3-865-462-21	MANUAL, INSTRUCTION (GERMAN/DUTCH/ITALIAN/PORTUGUESE)(AEP)	
	3-865-462-31	MANUAL, INSTRUCTION (SWEDISH/DANISH/FINNISH)(AED)	
	3-865-462-41	MANUAL, INSTRUCTION (ENGLISH/POLISH/RUSSIAN)(CIS)	
	3-865-462-51	MANUAL, INSTRUCTION(HUNGARIAN)(CIS)	
	3-865-462-61	MANUAL, INSTRUCTION(CZECH)(CIS)	
	3-865-462-71	MANUAL, INSTRUCTION(TURKISH)(CIS)	
	3-865-462-81	MANUAL, INSTRUCTION(GREEK)(CIS)	
	4-983-956-01	COVER,BATTERY (For RM-DX50)	

HARDWARE LIST			

#1	7-685-649-79	SCREW +BVTP 3 × 14 TYPE2 IT-3	
#2	7-621-775-10	SCREW +B 2.6 × 4	
#3	7-685-134-19	SCREW +BVT 2.6 × 8 TYPE2 N-S	

The components identified by mark △ or dotted line with mark △ are critical for safety. Replace only with part number specified.